

Description

Low noise ceiling/wall mount ventilating fan with super low profile rated for continuous running. Evaluated by Underwriter Laboratories and conforms to both UL and cUL safety standards.

Motor/Blower

- DC Brushless motor engineered to run continuously.
- Motor equipped with thermal cutoff fuse.
- Removable with permanently lubricated plug-in motor.

Housing

- Galvanized steel body.
- Detachable 3" diameter duct adapter.
- Built in backdraft damper.
- Easy installation.

Grille

- Attractive design using ABS material.
- Attaches directly to housing with torsion springs.

Warranty

- 3 year limited warranty.

Feature

- Green and amber LED indicator lights show low and high speed modes

50CFM.

- Airflow of 50 CFM ($\pm 10\%$) and 1.0 Sone at 0.1 static pressure.
- Power consumption approximately 6.4 Watts with an efficiency rating approximately 8.9 CFM / Watt.

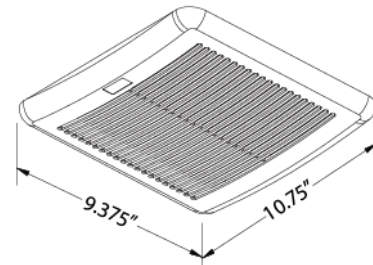
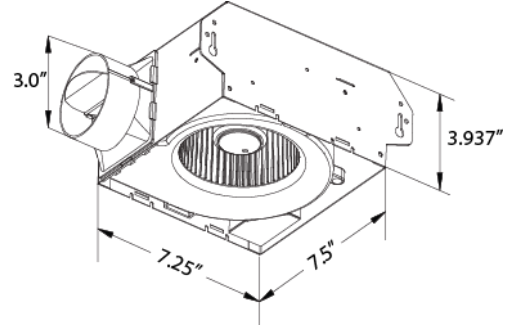
70CFM

- Airflow of 70 CFM ($\pm 10\%$) and 2.0 Sone at 0.1 static pressure.
- Power consumption approximately 13.1 Watts with an efficiency rating approximately 5.8 CFM / Watt.
- UL and cUL listed for tub/shower enclosure when used with GFCI branch circuit wiring.

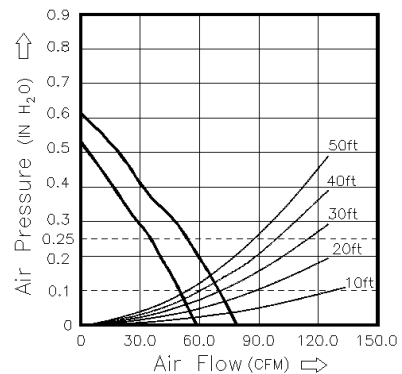
DC Motor Technology

(50/70 CFM)

- Allows fan to operate in dual speed mode.
- Built in soft start function to increase bearings life.
- Automatically power OFF when impeller is locked abnormally.



Fan Curve



VFB070B3X1	3" Duct (Standard)			
	Low		High	
Fan Speed				
Static Pressure (inches w.g.)	0.1	0.25	0.1	0.25
Air Flow (CFM)	50	36	70	54
Sones	1.0	1.2	2.0	1.5
Power Consumption (Watts)	6.4	6.3	13.1	11.5
Energy Efficiency (CFM/Watt)	8.9	6.5	5.8	5.0
Speed (RPM)	1063	1264	1239	1369
Current (Amps)	0.18 @ 120Vac		0.29 @ 120Vac	
Power Rating (V/Hz)	120 / 60			

Model	Quantity	Comments	Project:
			Location:
			Architect:
			Engineer:
			Contractor:
			Submitted by:
			Date: