



MODEL VFB25ACL

(80 CFM)

Description

Low noise ceiling mount ventilating fan rated for continuous running. Evaluated by Underwriter Laboratories and conforms to both UL and cUL safety standards.

Motor/Blower

- Power Rating of 120 volts / 60Hz.
- DC Brushless motor engineered to run continuously.
- Motor equipped with thermal cutoff fuse.
- Permanently lubricated motor.

Housing

- Galvanized steel body.
- Detachable 4" diameter duct adapter.
- Built in backdraft damper.
- Easy installation.

Grille

- Attractive design using ABS material.
- Attaches directly to housing with included grille bracket

Light

- (1) GU24 26 Watt compact fluorescent lamp included.
- (1) E12 4 Watt night-light included.

Warranty

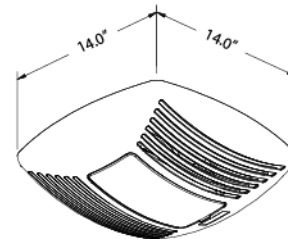
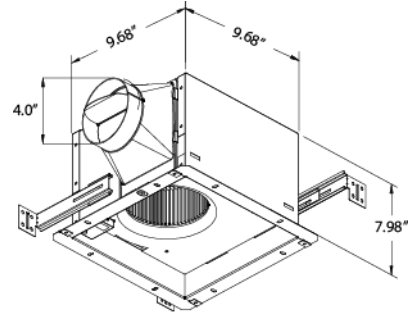
- 3 year limited warranty.

Feature

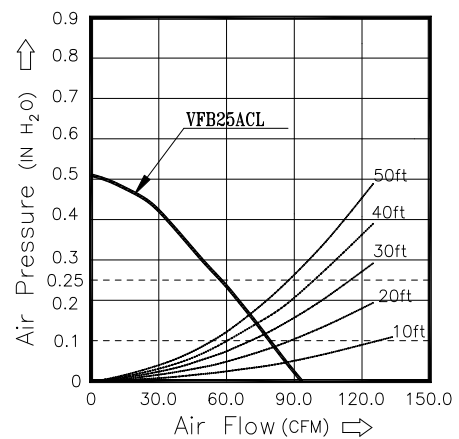
- For ceiling mount only, airflow of 80 CFM (±10%) and 0.6 Sones at 0.1 static pressure.
- Power consumption approximately 9.6 Watts with an efficiency rating approximately 8.5 CFM / Watt at 0.1 static pressure.
- Duct diameter no less than 4".
- UL and cUL listed for tub/shower enclosure when used with GFCI branch circuit wiring.

DC Motor Technology

- Built in soft start function to increase bearings life.
- Automatically power OFF when impeller is locked abnormally.



Fan Curve VFB25ACL



VFB25ACL	4" Duct (Standard)	
Static Pressure (inches w.g.)	0.1	0.25
Air Flow (CFM)	80	49
Sones	0.6	1.0
Power Consumption (Watts)	9.6	10.0
Energy Efficiency (CFM/Watt)	8.5	5.0
Speed (RPM)	904	1095
Current (Amps)	0.15 @ 120Vac	
Power Rating (V/Hz)	120 / 60	
Lamp(Watts)	26	
Night-light(Watts)	4	



Model	Quantity	Comments	Project:
			Location:
			Architect:
			Engineer:
			Contractor:
			Submitted by:
			Date: