

Description

Low noise ceiling mount ventilating fan rated for continuous running. Evaluated by Underwriter Laboratories and conforms to both UL and cUL safety standards.

Motor/Blower

- Power Rating of 110~220 volts / 50~60Hz.
- DC Brushless motor engineered to run continuously.
- Motor equipped with thermal cutoff fuse.
- Permanently lubricated motor.

Housing

- Galvanized steel body.
- Detachable 4" diameter duct adapter.
- Built in backdraft damper.
- Easy installation.

Grille

- Attractive design using ABS material.
- Attaches directly to housing with torsion springs.

Warranty

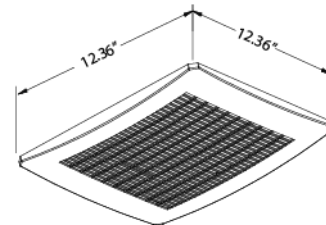
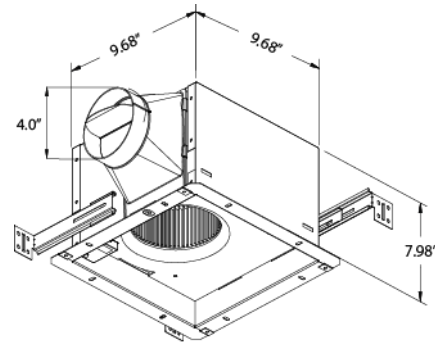
- 3 year limited warranty.

Feature

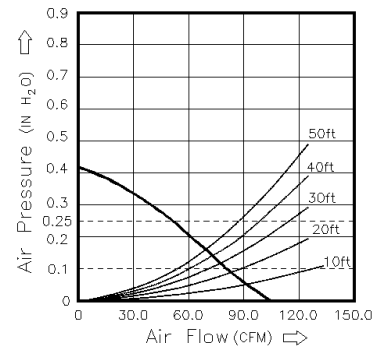
- For ceiling mount only, airflow of 80 CFM ($\pm 10\%$) and < 0.3 Sones at 0.1 static pressure.
- Power consumption approximately 7.2 Watts with an efficiency rating approximately 11.0 CFM / Watt at 0.1 static pressure.
- Duct diameter no less than 4".
- UL and cUL listed for tub/shower enclosure when used with GFCI branch circuit wiring.

DC Motor Technology

- Built in soft start function to increase bearings life.
- Automatically power OFF when impeller is locked abnormally.



Fan Curve



VFB25AC	4" Duct (Standard)	
Static Pressure (inches w.g.)	0.1	0.25
Air Flow (CFM)	80	56
Sones	< 0.3	0.6
Power Consumption (Watts)	7.2	9.3
Energy Efficiency (CFM/Watt)	11.0	6.0
Speed (RPM)	851	1103
Current (Amps)	0.12 @ 120Vac	
Power Rating (V/Hz)	110~220 / 50~60	



Model	Quantity	Comments	Project:
			Location:
			Architect:
			Engineer:
			Contractor:
			Submitted by:
			Date: