

**Description**

Low noise ceiling mount ventilating fan rated for continuous running. Evaluated by Underwriter Laboratories and conforms to both UL and cUL safety standards.

**Motor/Blower**

- Power Rating of 120 volts / 60Hz.
- DC Brushless motor engineered to run continuously.
- Motor equipped with thermal cutoff fuse.
- Permanently lubricated motor.

**Housing**

- Galvanized steel body.
- Detachable 4" diameter duct adapter.
- Built in backdraft damper.
- Easy installation.

**Grille**

- Attractive design using ABS material.
- Attaches directly to housing with included grille bracket.

**Light**

- (1)GU24 26 Watt compact florescent lamp included.
- (1)E12 4 Watt night-light included.

**Warranty**

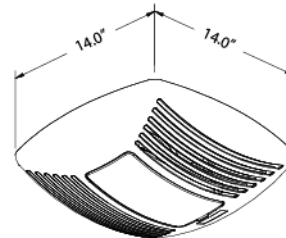
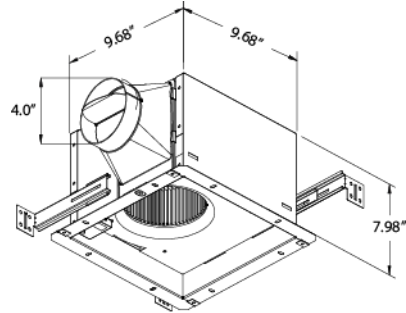
- 3 year limited warranty.

**Feature**

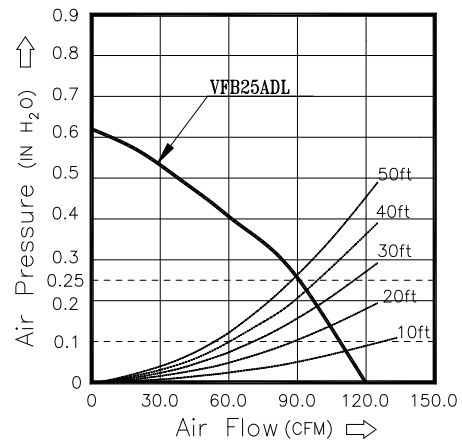
- For ceiling mount only, airflow of 110 CFM (±10%) and 1.1 Sones at 0.1 static pressure.
- Power consumption approximately 15.4Watts with an efficiency rating approximately 7.1 CFM / Watt at 0.1 static pressure.
- Duct diameter no less than 4".
- UL and cUL listed for tub/shower enclosure when used with GFCI branch circuit wiring.

**DC Motor Technology**

- Built in soft start function to increase bearings life.
- Automatically power OFF when impeller is locked abnormally.



Fan Curve VFB25ADL



VFB25ADL	4" Duct (Standard)	
Static Pressure (inches w.g.)	0.1	0.25
Air Flow (CFM)	110	89
Sones	1.1	1.4
Power Consumption (Watts)	15.4	17.2
Energy Efficiency (CFM/Watt)	7.1	5.2
Speed (RPM)	1037	1213
Current (Amps)	0.26 @ 120Vac	
Power Rating (V/Hz)	120 / 60	
Lamp(Watts)	26	
Night-light(Watts)	4	



Model	Quantity	Comments	Project:
			Location:
			Architect:
			Engineer:
			Contractor:
			Submitted by:
			Date: