

Description

Low noise ceiling mount ventilating fan rated for continuous running. Evaluated by Underwriter Laboratories and conforms to both UL and cUL safety standards.

Motor/Blower

- Power Rating of 110~220 volts / 50~60Hz.
- DC Brushless motor engineered to run continuously.
- Motor equipped with thermal cutoff fuse.
- Permanently lubricated motor.

Housing

- Galvanized steel body.
- Detachable 4" diameter duct adapter.
- Built in backdraft damper.
- Easy installation.

Grille

- Attractive design using ABS material.
- Attaches directly to housing with torsion springs.

Warranty

- 3 year limited warranty.

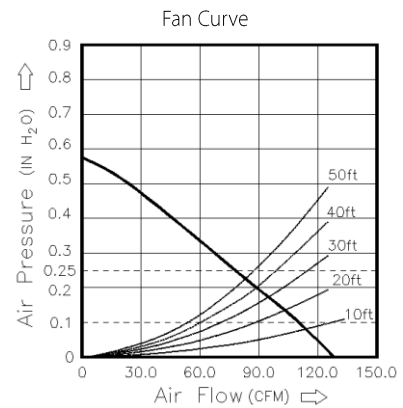
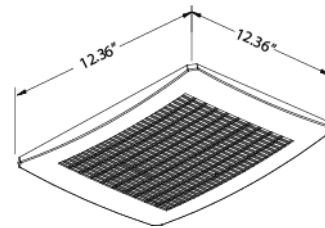
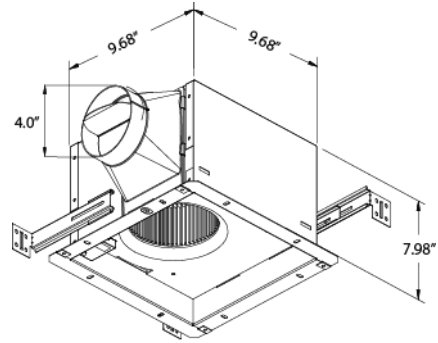
Feature

- For ceiling mount only, airflow of 110 CFM ($\pm 10\%$) and 1.0 Sone at 0.1 static pressure.
- Power consumption approximately 14.2 Watts with an efficiency rating approximately 7.7 CFM / Watt at 0.1 static pressure.
- Duct diameter no less than 4".
- UL and cUL listed for tub/shower enclosure when used with GFCI branch circuit wiring.

VFB25AD	4" Duct (Standard)	
Static Pressure (inches w.g.)	0.1	0.25
Air Flow (CFM)	110	81
Sones	1.0	1.5
Power Consumption (Watts)	14.2	15.0
Energy Efficiency (CFM/Watt)	7.7	5.4
Speed (RPM)	964	1150
Current (Amps)	0.22 @ 120Vac	
Power Rating (V/Hz)	110~220 / 50~60	

DC Motor Technology

- Built in soft start function to increase bearings life.
- Automatically power OFF when impeller is locked abnormally.



Model	Quantity	Comments	Project:
			Location:
			Architect:
			Engineer:
			Contractor:
			Submitted by:
			Date: