

**Description**

Low noise ceiling mount ventilating fan rated for continuous running. Evaluated by Underwriter Laboratories and conforms to both UL and cUL safety standards.

**Motor/Blower**

- Power Rating of 110~220 volts / 50~60Hz.
- DC Brushless motor engineered to run continuously.
- Motor equipped with thermal cutoff fuse.
- Permanently lubricated motor.

**Housing**

- Galvanized steel body.
- Detachable 4" diameter duct adapter.
- Built in backdraft damper.
- Easy installation.

**Grille**

- Attractive design using ABS material.
- Attaches directly to housing with torsion springs.

**Warranty**

- 3 year limited warranty.

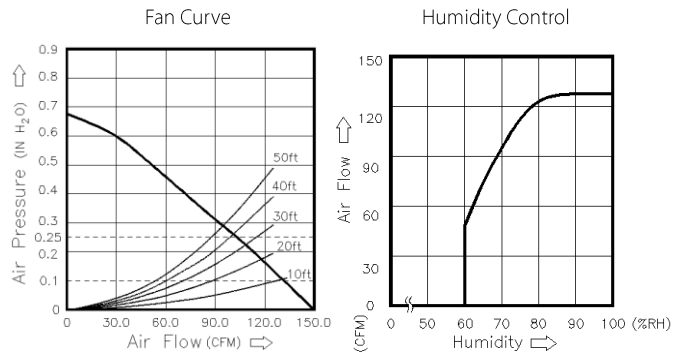
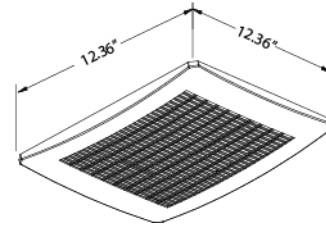
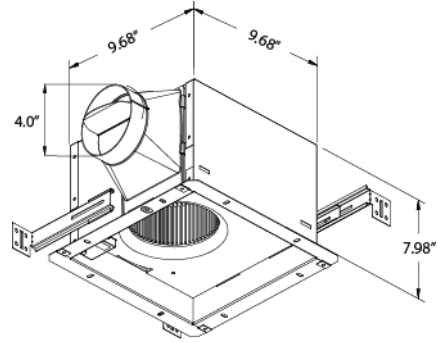
**Feature**

- Blue and amber LED indicator lights to show humidity sensor and full speed modes.
- For ceiling mount only, airflow of 130 CFM(±10%) and 1.3 Sones at 0.1 static pressure.
- Power consumption approximately 19.1 Watts with an efficiency rating approximately 7.1 CFM/Watt at 0.1 static pressure.
- Duct diameter no less than 4".
- UL and cUL listed for tub/shower enclosure when used with GFCI branch circuit wiring.

(130 CFM)

**DC Motor Technology**

- Allows fan to operate in full speed mode or humidity control mode by cycling ON/OFF switch.
- Built in soft start function to increase bearings life.
- Automatically power OFF when impeller is locked abnormally.



<b>VFB25AEH</b>	4" Duct (Standard)	
Static Pressure (inches w.g.)	0.1	0.25
Air Flow (CFM)	130	107
Sones	1.3	N/A
Power Consumption (Watts)	19.1	18.8
Energy Efficiency (CFM/Watt)	7.1	5.9
Speed (RPM)	1083	1219
Current (Amps)	0.36 @ 120Vac	
Power Rating (V/Hz)	110~220 / 50~60	



Model	Quantity	Comments	Project:
			Location:
			Architect:
			Engineer:
			Contractor:
			Submitted by:
			Date: