

**Description**

Low noise ceiling mount ventilating fan rated for continuous running. Evaluated by Underwriter Laboratories and conforms to both UL and cUL safety standards.

**Motor/Blower**

- DC Brushless motor engineered to run continuously.
- Motor equipped with thermal cutoff fuse.
- Permanently lubricated motor.

**Housing**

- Galvanized steel body.
- Detachable 4" diameter duct adapter.
- Built in backdraft damper.
- Easy installation.

**Grille**

- Attractive design using ABS material.
- Attaches directly to housing with torsion springs.

**Warranty**

- 3 year limited warranty.

**Feature**

- Green and amber LED indicator lights show low and high speed modes.

**110CFM**

- For ceiling mount only, airflow of 110 CFM ( $\pm 10\%$ ) and 1.0 Sone at 0.1 static pressure.
- Power consumption approximately 16.0 Watts with an efficiency rating approximately 7.0 CFM / Watt at 0.1 static pressure.

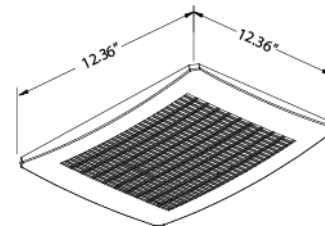
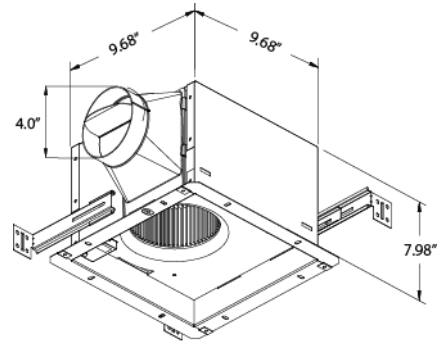
**80CFM**

- For ceiling mount only, airflow of 80 CFM ( $\pm 10\%$ ) and 0.5 Sones at 0.1 static pressure.
- Power consumption approximately 7.7 Watts with an efficiency rating approximately 10.4 CFM / Watt at 0.1 static pressure.

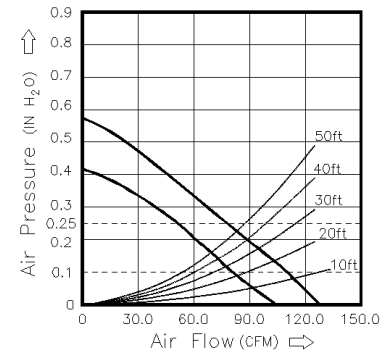
- UL and cUL listed for tub/shower enclosure when used with GFCI branch circuit wiring.

**DC Motor Technology**

- Built in soft start function to increase bearings life.
- Automatically power OFF when impeller is locked abnormally.



Fan Curve



VFB25AX	4" Duct (Standard)			
	Low		High	
Fan Speed				
Static Pressure (inches w.g.)	0.1	0.25	0.1	0.25
Air Flow (CFM)	80	53	110	89
Sones	0.5	N/A	1.0	N/A
Power Consumption (Watts)	7.7	8.7	16.0	18.1
Energy Efficiency (CFM/Watt)	10.4	6.1	7.0	5.0
Speed (RPM)	890	1082	1015	1189
Current (Amps)	0.12 @ 120Vac		0.22 @ 120Vac	
Power Rating (V/Hz)	110~220 / 50~60			



Model	Quantity	Comments	Project:
			Location:
			Architect:
			Engineer:
			Contractor:
			Submitted by:
			Date: