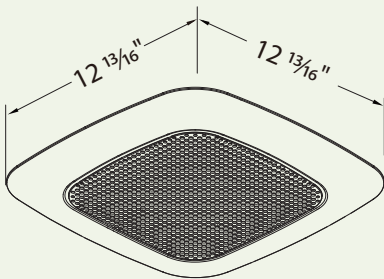
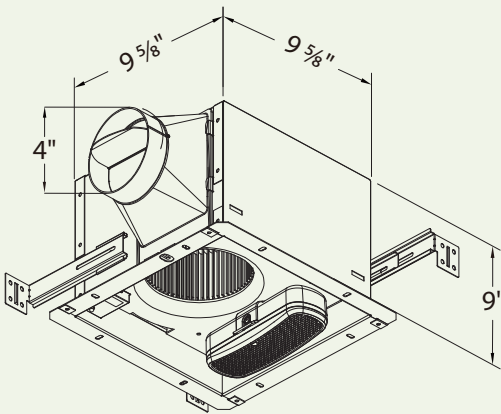




# Delta BreezSignature Ventilation Fan with Bluetooth® Stereo Speaker Specifications

VFB25ADB  
(110 CFM)

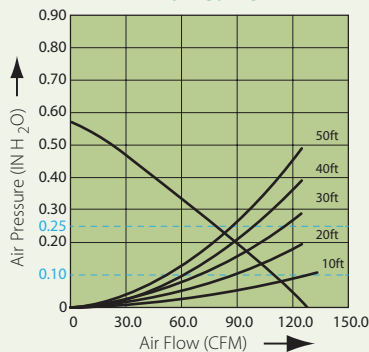
## Dimensions



## Bluetooth®

The Bluetooth® word mark and logos are registered trademarks owned by Bluetooth SIG, Inc. and any use of such marks by Delta Electronics, Inc. is under license. Other trademarks and trade names are those of their respective owners.

## Fan Curve



## Description

BreezSignature 110 CFM fan with Bluetooth® Stereo Speaker enables you to enjoy your favorite music, or hear real-time news, weather, traffic, or sports while the energy-efficient fan quietly ventilates your bathroom. Easily pairs with most Bluetooth wireless devices. Low noise ceiling mount ventilating fan with Bluetooth speaker, rated for continuous running. Fan has been awarded ENERGY STAR. It is HVI, UL and cUL certified, and can be used to comply with ASHRAE 62.2 (local and whole building intermittent operation).

## Motor/Blower

- Power Rating of 120 Volts/60Hz
- Brushless DC motor engineered to run continuously
- Motor equipped with thermal cutoff fuse
- Removable with permanently lubricated plug-in motor

## Housing

- Galvanized steel body
- Detachable 4" diameter plastic duct adapter
- Built-in backdraft damper
- Easy installation

## Grille

- Attractive design using ABS material
- Attaches directly to housing with torsion springs

## Bluetooth Speaker assembly

- Include a Bluetooth 2.1, Stereo Speaker 4ohm 2W x 2
- Easily pairs with most Bluetooth devices
- Convenient device-to-speaker range of 32'. Speaker safety rating of IPX4 for water resistance
- Exclusive-to-Delta LED indicator light tells at a glance whether audio is on or Bluetooth is in pairing mode.

## Warranty

- 3-year limited warranty

## Features

- For ceiling mount only, airflow of 110CFM (±10%) and 1.0 Sone at 0.1 static pressure
- Power consumption approximately 14.2 Watts with an efficiency rating approximately 7.7 CFM/Watt at 0.1 static pressure
- Duct diameter no less than 4"
- UL and cUL listed for tub/shower enclosure when used with GFCI-protected branch circuit wiring

## DC Motor Technology

- Built in soft start function to increase bearings life
- Automatically power OFF when impeller is locked abnormally

## Specifications

VFB25ADB	4" Duct (Standard)	
Static Pressure (Inches w.g.)	0.1	0.25
Air Flow (CFM)	110	81
Sones	1.0	1.5
Power Consumption (Watts)	14.2	15.0
Energy Efficiency (CFM/Watt)	7.7	5.3
Current (Amps)	0.3 Max	
Power Rating (V/Hz)	110~220 / 50~60	