



	<p>4" Duct (Standard): 100 CFM/1.5 Sones @ 0.1 SP, 13.0 Watts 72 CFM/2.0 Sones @ 0.25 SP, 12.5 Watts</p>		
--	---	--	--

Description

Beautifully designed ventilation fan with frosted glass globe and LED light allows for quiet ventilation, low power consumption and market-leading energy efficiency. This stylish fan comes with attractive finials in four finishes to match any décor: chrome, brushed nickel, brushed bronze, and polished white. ENERGY STAR® qualified, HVI, UL, cUL certified. Can be used to comply with ASHRAE 62.2 Intermittent Local Exhaust, and CA Title 24 requirements.

DC Motor/Blower

- Power rating of 120 volts/60Hz
- DC Brushless motor engineered to run continuously
- Motor equipped with thermal cutoff fuse
- Removable with permanently lubricated plug-in motor
- Built-in soft start function to increase bearings' life
- Automatically powers OFF when impeller is locked abnormally
- Permanently lubricated motor
- Self-compensating motor speed for intended airflow when static pressure is encountered

Housing

- Galvanized steel body
- Detachable 4" diameter duct adapter
- Built-in backdraft damper
- Easy installation

Grille

- Alabaster glass shade
- Attached to housing including grille bracket, rod, caps and finial nuts (chrome, brushed nickel, brushed bronze, and polished white)

Light

- 13-Watt LED lamp included
- Main light output 950 Lumens, 3000K
- Dimmable LED lighting (dimmer switch not included)

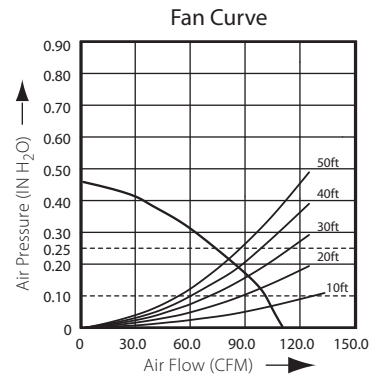
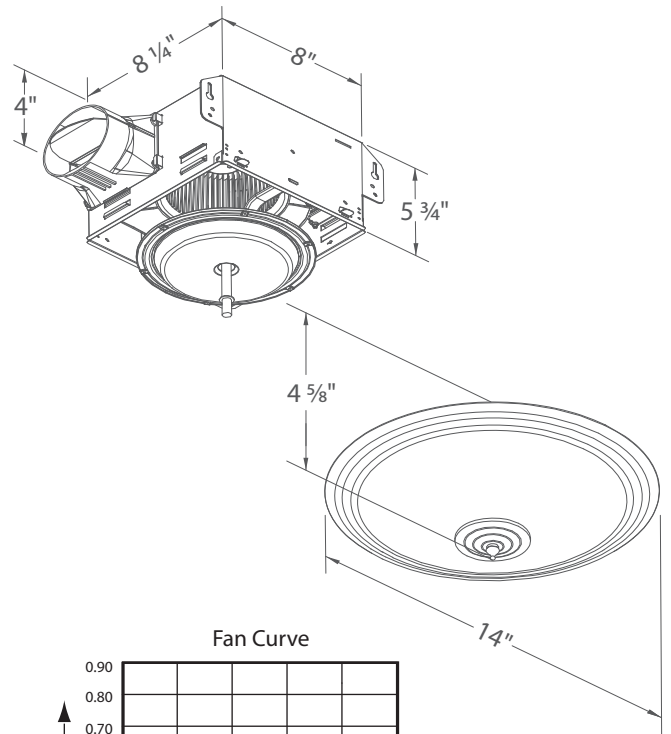
Warranty

- 3-year limited warranty

GBR100LED-DECOR	4" Duct (Standard)	
Static Pressure (inches w.g.)	0.1	0.25
Air Flow (CFM)	100	72
Sones	1.5	2.0
Power Consumption (Watts)	13.0	12.5
Energy Efficiency (CFM/Watt)	7.6	5.7
Current (Amps)	0.32 Max	
Power Rating (V/Hz)	120 / 60	
LED Main Light (Watt)	13	

TYPICAL SPECIFICATION

Ventilation fan shall be Delta Breez model GBR100LED-DECOR; ENERGY STAR qualified with DC brushless motor engineered to run continuously for a minimum 70,000 hours; airflow rating of 100 CFM and loudness rating of 1.5 Sones at 0.1 static pressure as certified by the Home Ventilating Institute (HVI); power consumption of 13.0 Watts with efficiency rating of 7.6 CFM/Watt at 0.1" static pressure; fan features motor lock protection and self-compensating motor speed for intended airflow when static pressure is encountered. UL and cUL listed for tub/shower enclosure when used with GFCI-protected branch circuit wiring.



Model	Quantity	Comments	Project:
			Location:
			Architect:
			Engineer:
			Contractor:
			Submitted by:
			Date: