



(Fan/Dimmable LED Light with Humidity Sensor – 80 CFM)

	Full Speed:	Low Speed:		
	80 CFM/0.8 Sones @ 0.1" SP, 11 Watts 63 CFM/1.5 Sones @ 0.25" SP, 13 Watts	50 CFM/<0.3 Sones @ 0.1" SP, 4.4 Watts 33 CFM/0.8 Sones @ 0.25" SP, 6.0 Watts		

Description

Low noise ceiling mount ventilating Fan/Dimmable LED Light with humidity sensor rated for continuous running. Fan is ENERGY STAR® qualified, HVI, UL, and cUL certified, and can be used to comply with ASHRAE 62.2 Intermittent Local Exhaust, CA Title 24, and CAL Green requirements.

DC Motor/Blower

- Power rating of 120 volts/60Hz
- DC Brushless motor engineered to run continuously
- Motor equipped with thermal cutoff fuse
- Removable with permanently lubricated plug-in motor
- Allows fan to operate in full speed mode or humidity control mode by manual switch
- For humidity control mode, when humidity is above the user-adjustable set-point, fan runs at full speed (80 CFM). When humidity is below the set-point, the fan runs continuously at a pre-set lower level (0 or 50 CFM)
- Built-in soft start function to increase bearings' life
- Automatically powers OFF when impeller is locked abnormally
- Self-compensating motor speed for intended airflow when static pressure is encountered

Housing

- Galvanized steel body
- Detachable 4" diameter duct adapter
- Built-in backdraft damper
- Easy installation

Grille

- Attractive design using ABS material
- Attaches directly to housing with torsion springs

Light

- 13-Watt LED Light output 850 Lumens, 3000K, and 90CRI
- Dimmable Lighting (dimmer switch not included)

LED Indicator

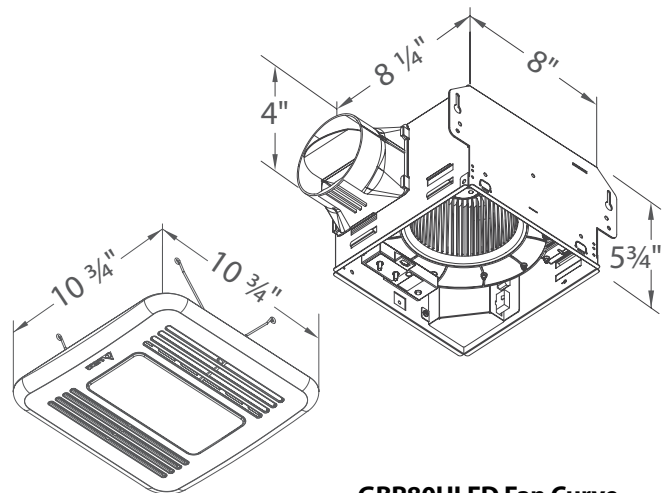
- Blue and amber LED indicator lights to show humidity sensor and full speed modes

Warranty

- 3-Year limited warranty

TYPICAL SPECIFICATION

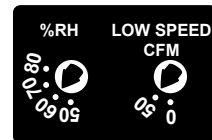
Ventilation fan shall be Delta Breez model GBR80HLED; ENERGY STAR qualified with DC brushless motor engineered to run continuously for a minimum 70,000 hours; airflow rating of 80 CFM and loudness rating of 0.8 Sones at 0.1 static pressure as certified by the Home Ventilating Institute (HVI); power consumption of 11 Watts with efficiency rating of 7.2 CFM/Watt at 0.1" static pressure; fan will feature LED indicator running light, motor lock protection and self-compensating motor speed for intended airflow when static pressure is encountered. UL and cUL listed for tub/shower enclosure when used with GFCI-protected branch circuit wiring.



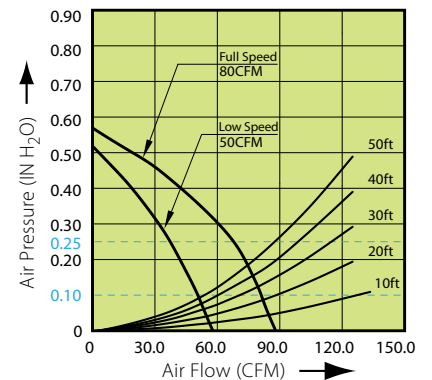
GreenBuilder GBR80HLED - 80 CFM				
Fan Speed	Continuous Low Speed		Full Speed	
Static Pressure (Inches w.g.)	0.1	0.25	0.1	0.25
Air Flow (CFM)	50	33	80	63
Sones	< 0.3	0.8	0.8	1.5
Power Consumption (Watts)	4.4	6.0	11	13
Energy Efficiency (CFM/Watts)	11.3	5.5	7.2	4.8
Current (Amps)	0.33 Max			
Power Rating (V/Hz)	120/60			
Dimmable LED Light (Watts)	13			



Control Options



GBR80HLED Fan Curve



Model	Quantity	Comments	Project:
			Location:
			Architect:
			Engineer:
			Contractor:
			Submitted by:
			Date: