



(Fan/Light with Humidity Sensor - 80 CFM)

	Full Speed:	Low Speed:	
	80 CFM/0.8 Sones @ 0.1 SP, 11.5 Watts 63 CFM/1.3 Sones @ 0.25 SP, 11.4 Watts	50 CFM/0.4 Sones @ 0.1 SP, 5.3 Watts 40 CFM/0.6 Sones @ 0.25 SP, 7.0 Watts	

Description

Low noise ceiling mount ventilating Fan/Light with Humidity Sensor rated for continuous running. Fan has been awarded ENERGY STAR® qualified. It is HVI, UL, and cUL certified, and can be used to comply with ASHRAE 62.2 (local and whole building continuous and intermittent operation), CA Title 24, and CALGreen requirements.

DC Motor/Blower

- Power rating of 120 volts/60Hz
- DC Brushless motor engineered to run continuously
- Motor equipped with thermal cutoff fuse
- Removable with permanently lubricated plug-in motor
- Allows fan to operate in full speed mode or humidity control mode by manual switch
- For humidity control mode, when humidity is above the user-adjustable set-point, fan runs at full speed (80 CFM). When humidity is below the set-point, the fan runs continuously at a pre-set lower level (0 or 50 CFM)
- Built-in soft start function to increase bearings' life
- Automatically powers OFF when impeller is locked abnormally
- Permanently lubricated motor
- Self-compensating motor speed for intended airflow when static pressure is encountered

Housing

- Galvanized steel body
- Detachable 4" diameter metal duct adapter
- Built-in backdraft damper
- Easy installation

Grille

- Attractive design using ABS material
- Attached to housing with included grille bracket

Light

- (1) GU24 26-Watt CFL lamp included
- Light output 1850 Lumens, 2700K

LED Indicator

- Turn the power switch on/off to operate on/off.
LED indicator will be green when power is on

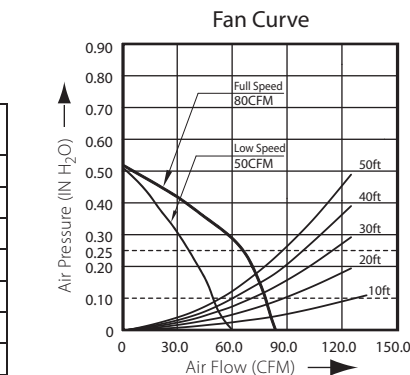
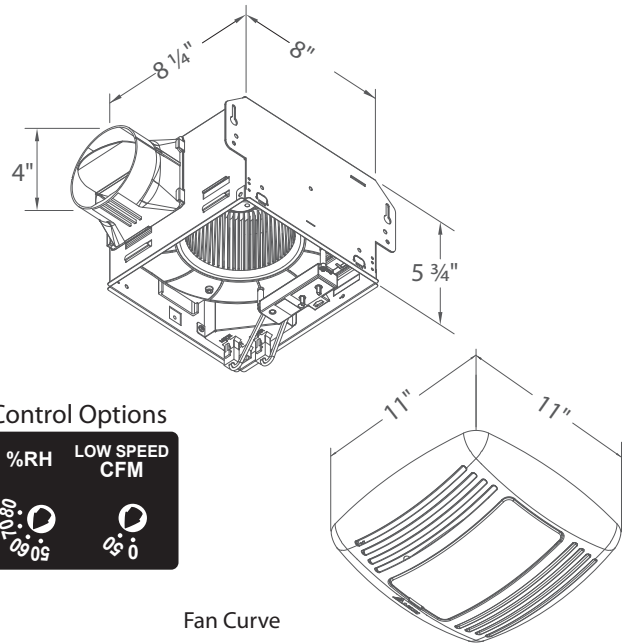
Warranty

- 3-year limited warranty

GreenBuilder GBR80HL	Continuous low speed		Full speed	
	0.1	0.2	0.1	0.25
Static Pressure (inches w.g.)	0.1	0.2	0.1	0.25
Air Flow (CFM)	50	40	80	63
Sones	0.4	0.6	0.8	1.3
Power Consumption (Watts)	5.3	7.0	11.5	11.4
Energy Efficiency (CFM/Watt)	9.4	5.7	6.9	5.5
Current (Amps)	0.63 Max			
Power Rating (V/Hz)	120 / 60			

TYPICAL SPECIFICATION

Ventilation fan shall be Delta Breez model GBR80HL; ENERGY STAR qualified with DC brushless motor engineered to run continuously for a minimum 70,000 hours; airflow rating of 80 CFM and loudness rating of 0.8 Sones at 0.1 static pressure as certified by the Home Ventilating Institute (HVI); power consumption of 11.5 Watts with efficiency rating of 6.9 CFM/Watt at 0.1" static pressure; fan will feature LED indicator running light, motor lock protection and self-compensating motor speed for intended airflow when static pressure is encountered. UL and cUL listed for tub/shower enclosure when used with GFCI-protected branch circuit wiring.



Model	Quantity	Comments	Project:
			Location:
			Architect:
			Engineer:
			Contractor:
			Submitted by:
			Date: