

	<p>4" Duct (Standard): 100 CFM/1.5 Sones @ 0.1" SP, 17.0 Watts 85 CFM/2.0 Sones @ 0.25" SP, 21.0 Watts</p>		
--	---	--	--

Description

Low noise ceiling and wall mount ventilating Fan rated for continuous running. Fan has been awarded ENERGY STAR® qualified. It is HVI, UL and cUL certified, and can be used to comply with ASHRAE 62.2.

DC Motor/Blower

- Power rating of 120 volts/60Hz
- Brushless DC motor engineered to run continuously
- Motor equipped with thermal cutoff fuse
- Removable with permanently lubricated plug-in motor
- Built-in soft start function to increase bearings' life
- Automatically powers OFF when impeller is locked abnormally
- Self-compensating motor speed for intended airflow when static pressure is encountered

Housing

- Galvanized steel body
- Detachable 4" diameter plastic duct adapter
- Built-in backdraft damper
- Easy installation

Grille

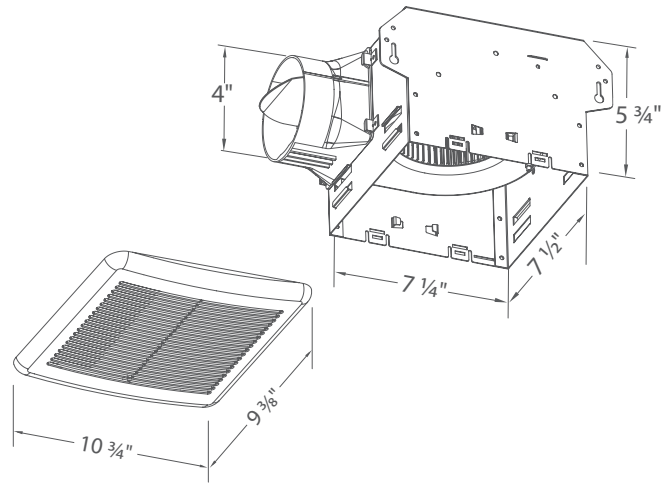
- Attractive design using ABS material
- Attaches directly to housing with torsion springs

Warranty

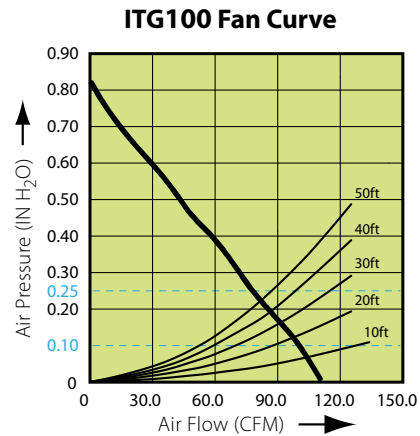
- 3-Year limited warranty

TYPICAL SPECIFICATION

Ventilation fan shall be Breez model ITG100 ENERGY STAR qualified with DC brushless motor engineered to run continuously for a minimum 70,000 hours; airflow rating of 100 CFM and loudness rating of 1.5 Sones at 0.1" static pressure as certified by the Home Ventilating Institute (HVI); power consumption of 17.0 Watts with efficiency rating of 7.6 CFM/Watts. UL and cUL listed for tub/shower enclosure when used with GFCI-protected branch circuit wiring.



BreezIntegrity ITG100		
Static Pressure (Inches w.g.)	0.1	0.25
Air Flow (CFM)	100	85
Sones	1.5	2.0
Power Consumption (Watts)	17.0	21.0
Energy Efficiency (CFM/Watts)	7.6	5.3
Current (Amps)	0.33 Max	
Power Rating (V/Hz)	120/60	



Model	Quantity	Comments	Project:
			Location:
			Architect:
			Engineer:
			Contractor:
			Submitted by:
			Date: