



	<p><b>4" Duct (Standard):</b> 80 CFM/1.3 sones @ 0.1" SP, 11.3 Watts 60 CFM/1.3 sones @ 0.25" SP, 11.5 Watts</p>		
--	--	--	--

**Description**

Low noise ceiling/wall mount ventilating Fan/LED Light rated for continuous running. Fan has been awarded ENERGY STAR®. It is HVI, UL, and cUL certified, and can be used to comply with ASHRAE 62.2 (local and whole building continuous and intermittent operation), CA Title 24, and CALGreen requirements.

**DC Motor/Blower**

- Power rating of 120 volts/60Hz
- Brushless DC motor engineered to run continuously
- Motor equipped with thermal cutoff fuse
- Removable with permanently lubricated plug-in motor
- Built-in soft start function to increase bearings' life
- Automatically powers OFF when impeller is locked abnormally
- Self-compensating motor speed for intended airflow when static pressure is encountered

**Housing**

- Galvanized steel body
- Detachable 4" diameter plastic duct adapter
- Built-in backdraft damper
- Easy installation

**Light**

- (1)13-Watt LED
- Light output 850 Lumens, 3000K, 90 CRI
- Dimmable Lighting (dimmer switch not included)

**Grille**

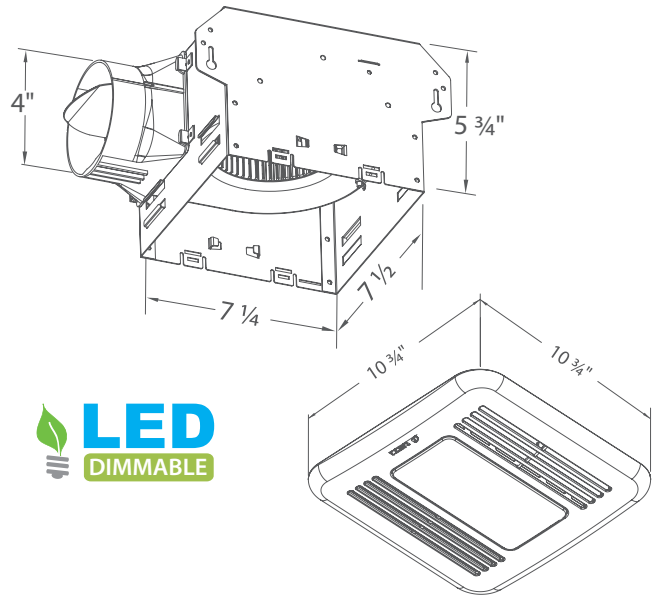
- Attractive design using ABS material
- Attaches directly to housing with torsion springs

**Warranty**

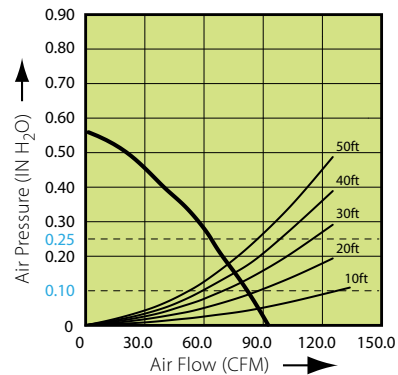
- 3-Year limited warranty

**TYPICAL SPECIFICATION**

Ventilation fan shall be Delta Breez model ITG80LED; ENERGY STAR qualified with DC brushless motor engineered to run continuously for a minimum 70,000 hours ; airflow rating of 80 CFM and loudness rating of 1.3 Sones at 0.1 static pressure as certified by the Home Ventilating Institute (HVI); power consumption of 11.3 Watts with efficiency rating of 7.2 CFM/Watt at 0.1" static pressure; motor lock protection and self-compensating motor speed for intended airflow when static pressure is encountered. UL and cUL listed for tub/shower enclosure when used with GFCI-protected branch circuit wiring.



**ITG80LED Fan Curve**



BreezIntegrity ITG80LED		
Static Pressure (Inches w.g.)	0.1	0.25
Air Flow (CFM)	80	60
Sones	1.3	1.3
Power Consumption (Watts)	11.3	11.5
Energy Efficiency (CFM/Watts)	7.2	6.2
Current (Amps)	0.14 Max	
Power Rating (V/Hz)	120/60	
LED Light (Watt)	13.0	
Project Pack Components Available ITGLED-A (housing) and ITG80LED-B (motor grille)		

Model	Quantity	Comments	Project:
			Location:
			Architect:
			Engineer:
			Contractor:
			Submitted by:
			Date: