



(Up to 3 hour – Ceiling Radiation Damper)
Non-Combustible only

Description

GBR-CRD Ceiling Radiation Damper is UL and cUL listed, and exceeds UL 555C for use in 3-hour fire rated assemblies. GBR-CRD is also Warnock-Hersey certified for use in fire rated floor/ceiling or roof/ceiling assemblies.

Application

- The GBR-CRD ceiling radiation damper employs a folded curtain style blade for point-of-origin control of radiant heat in a ventilation system
- The GBR-CRD is to be installed horizontally in the ceiling membrane for the floor/ceiling or roof/ceiling assemblies with a fire resistance rating up to and including 3 hours
- Ventilation fans shall be ducted out of the plenum space using any UL 181 Class 0 or Class 1 duct
- Available for Delta Breez Ventilation Fans: GBR50, GBR50L, GBR80, GBR80H, GBR80HL, GBR80HLED, GBR80L, GBR80LED, GBR80MHL, GBR80MHLED, GBR100, GBR100H, GBR100HL, GBR100HLED, GBR100L, and GBR100LED

Features

- Galvanized steel frame and sleeve
- Folded ceramic curtain blade
- 165°F fusible link
- Size: 8.5" x 8.75"
- High temperature, non-asbestos, reinforced fiber thermal fabric

Warranty

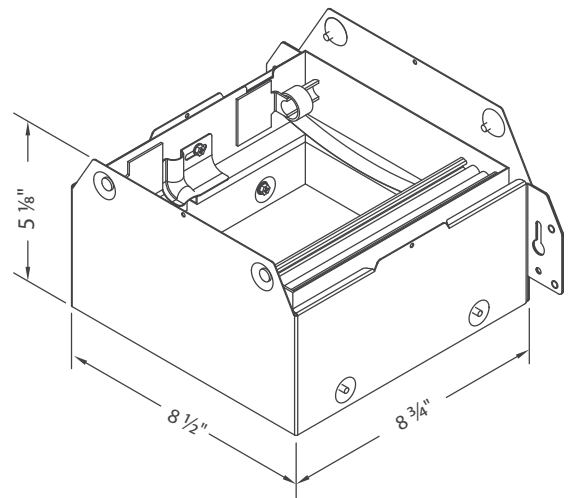
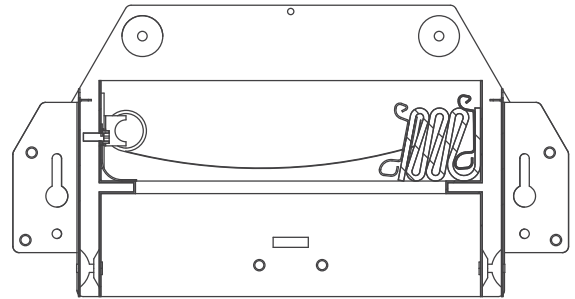
- 3-year limited warranty

Ratings

- UL 555C Fire Resistance Rating: 3 hour (horizontal, for use in 1, 2, or 3 hour rated assemblies)

Listings

- CSFM listing: 3226-0368:104
- UL 555C listing: R27832
- Warnock Hersey listing #: 101232214SAT-003,-004
- Meets NFPA Standards: 90A and 101
- Meets Building Code Standards: IBC, NBC, NFPA, SBC, and UBC



Information is subject to change without notice or obligation

Model	Quantity	Comments	Project:
			Location:
			Architect:
			Engineer:
			Contractor:
			Submitted by:
			Date: