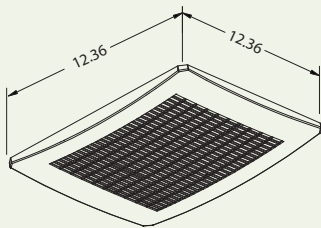
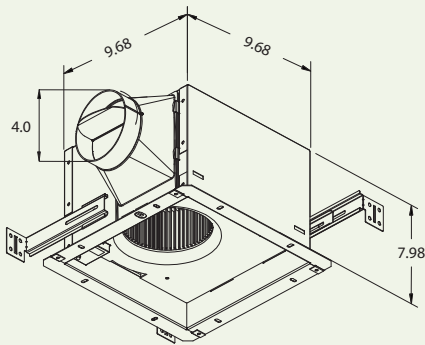




# Delta BreezSignature Ventilation Single Speed Fan Specifications

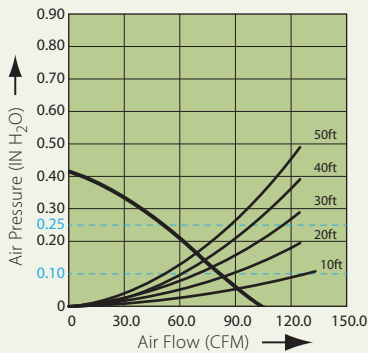
VFB25AC  
(80 CFM)

### Dimensions



UNIT: INCH

### Fan Curve



### Description

Low noise ceiling mount ventilating fan rated for continuous running. Evaluated by Underwriter Laboratories and conforms to both UL and cUL safety standards.

### Motor/Blower

- Power Rating of 110~220volts/50~60Hz.
- DC Brushless motor engineered to run continuously.
- Motor equipped with thermal cutoff fuse.
- Permanently lubricated motor.

### Housing

- Galvanized steel body.
- Detachable 4" diameter duct adapter.
- Built in backdraft damper.
- Easy installation.

### Grille

- Attractive design using ABS material.
- Attaches directly to housing with torsion springs.

### Warranty

- 3 year limited warranty.

### Features

- For ceiling mount only, air flow of 80 CFM ( $\pm 10\%$ ) and  $< 0.3$  Sones at 0.1" static pressure.
- Power consumption approximately 7.2 Watts with an efficiency rating approximately 11.0 CFM/Watt at 0.1" static pressure.
- Duct diameter no less than 4".
- UL and cUL listed for tub/shower enclosure when used with GFCI branch circuit wiring.

### DC Motor Technology

- Built in soft start function to increase bearings life.
- Automatically powers OFF when impeller is locked abnormally.

### Specifications

| VFB25AC                       | 4" Duct (Standard) |      |
|-------------------------------|--------------------|------|
| Static Pressure (Inches w.g.) | 0.1                | 0.25 |
| Air Flow (CFM)                | 80                 | 56   |
| Sones                         | <0.3               | 0.6  |
| Power Consumption (Watts)     | 7.2                | 9.3  |
| Energy Efficiency (CFM/Watt)  | 11.0               | 6.0  |
| Speed (RPM)                   | 851                | 1103 |
| Current (Amps)                | 0.12 @ 110 Vac     |      |
| Power Rating (V/Hz)           | 110~220/50~60      |      |