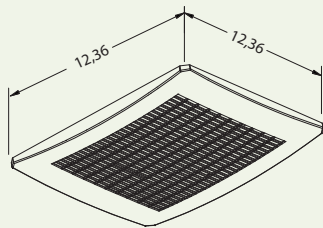
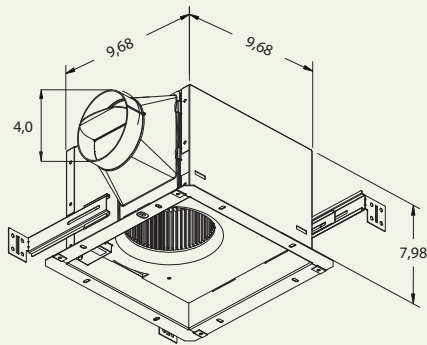




Delta BreezSignature Ventilation Single Speed Fan Specifications

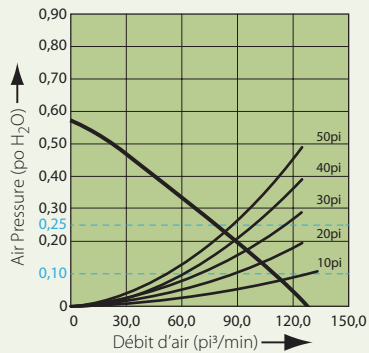
VFB25AD
(110 CFM)

Dimensions



UNITÉ : POUCES

Fan Curve



Description

Low noise ceiling mount ventilating fan rated for continuous running. Evaluated by Underwriter Laboratories and conforms to both UL and cUL safety standards.

Motor/Blower

- Power Rating of 110~220volts/50~60Hz.
- DC Brushless motor engineered to run continuously.
- Motor equipped with thermal cutoff fuse.
- Permanently lubricated motor.

Housing

- Galvanized steel body.
- Detachable 4" diameter duct adapter.
- Built in backdraft damper.
- Easy installation.

Grille

- Attractive design using ABS material.
- Attaches directly to housing with torsion springs.

Warranty

- 3 year limited warranty.

Features

- For ceiling mount only, air flow of 110 CFM ($\pm 10\%$) and approximately 1.0 Sone at 0.1" static pressure.
- Power consumption approximately 14.2 Watts with an efficiency rating approximately 7.7 CFM/Watt at 0.1" static pressure.
- Duct diameter no less than 4".
- UL and cUL listed for tub/shower enclosure when used with GFCI branch circuit wiring.

DC Motor Technology

- Built in soft start function to increase bearings life.
- Automatically powers OFF when impeller is locked abnormally.

Specifications

VFB25AD	4" Duct (Standard)	
Static Pressure (Inches w.g.)	0.1	0.25
Air Flow (CFM)	110	81
Sones	1.0	1.5
Power Consumption (Watts)	14.2	15.0
Energy Efficiency (CFM/Watt)	7.7	5.3
Speed (RPM)	964	1150
Current (Amps)	0.22 @ 110 Vac	
Power Rating (V/Hz)	110~220/50~60	