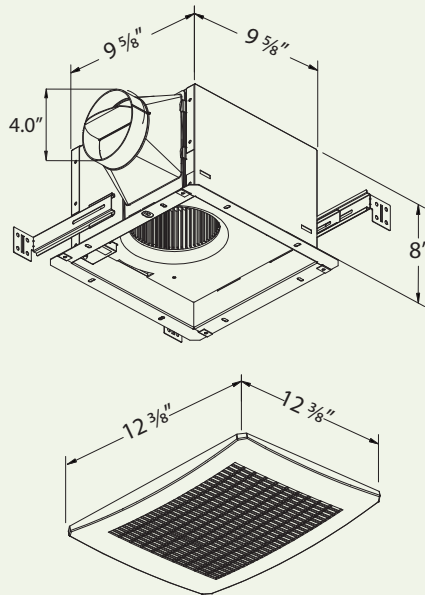




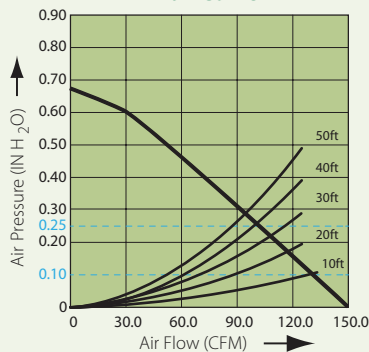
# Delta BreezSignature Ventilation Humidity Sensor Fan Specifications

VFB25AEH  
(130 CFM)

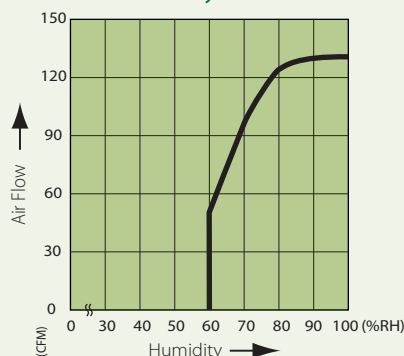
## Dimensions



## Fan Curve



## Humidity Control



VFB25AEH-12/15

## Description

Low noise ceiling mount ventilating fan with humidity sensor, rated for continuous running. ENERGY STAR® qualified. Evaluated by Underwriter Laboratories and conforms to both UL and cUL safety standards.

## Motor/Blower

- Power rating of 110~220volts/50~60Hz
- DC brushless motor engineered to run continuously
- Motor equipped with thermal cutoff fuse
- Permanently lubricated motor

## Housing

- Galvanized steel body
- Detachable 4" diameter duct adapter
- Built-in backdraft damper
- Easy installation

## Grille

- Attractive design using ABS material
- Attaches directly to housing with torsion springs

## Warranty

- 3-year limited warranty

## Features

- Blue and amber LED indicator lights to show humidity sensor and full speed modes
- For ceiling mount only, air flow of 130 CFM (±10%) and approximately 2.0 Sones at 0.1" static pressure
- Power consumption approximately 22 Watts with an efficiency rating approximately 6.7 CFM/Watt at 0.1" static pressure
- Duct diameter no less than 4"
- UL and cUL listed for tub/shower enclosure when used with GFCI branch circuit wiring

## DC Motor Technology

- Allows fan to operate in full speed mode or humidity control mode by cycling ON/OFF switch
- Built-in soft start function to increase bearings' life
- Automatically powers OFF when impeller is locked abnormally

## Specifications

VFB25AEH	4" Duct (Standard)	
Static Pressure (Inches w.g.)	0.1	0.25
Air Flow (CFM)	130	105
Sones	2.0	N/A
Power Consumption (Watts)	22	22
Energy Efficiency (CFM/Watt)	6.7	5.9
Current (Amps)	0.36 @ 110 Vac	
Power Rating (V/Hz)	110~220/50~60	