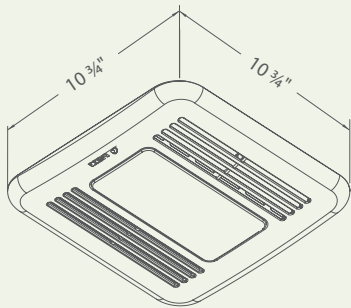
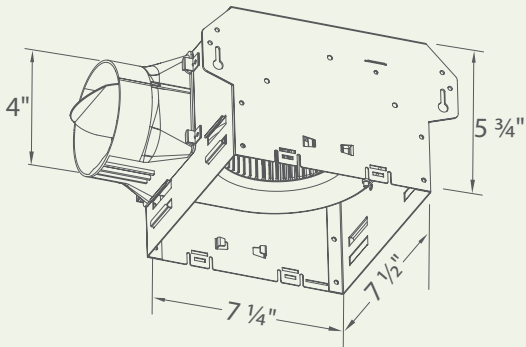




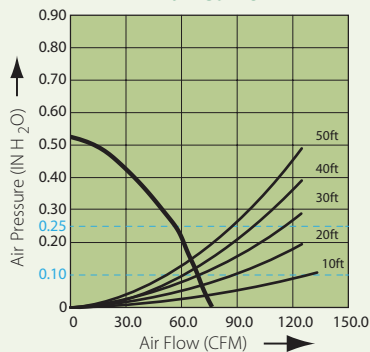
# Delta Breez Ventilation Fan Specifications

ITG70LED  
(70 CFM)

## Dimensions



## Fan Curve



## Description

Low noise ceiling mount ventilating Fan/LED Light rated for continuous running. Fan has been awarded ENERGY STAR® qualified. It is HVI, UL, and cUL certified, and can be used to comply with ASHRAE 62.2 (local and whole building continuous and intermittent operation), CA Title 24, and CALGreen requirements.

## DC Motor/Blower

- Power Rating of 120 Volts/60Hz
- DC Brushless motor engineered to run continuously
- Motor equipped with thermal cutoff fuse
- Removable with permanently lubricated plug-in motor
- Built-in soft start function to increase bearings' life
- Automatically powers OFF when impeller is locked abnormally
- Self-compensating motor speed for intended air flow when static pressure is encountered

## Housing

- Galvanized steel body
- Detachable 4" diameter plastic duct adapter
- Built-in backdraft damper
- Easy installation

## Grille

- Attractive design using ABS material
- Attaches directly to housing with torsion springs

## Light

- 13-Watt LED. Light output 850 Lumens, 2700K
- Dimmable Lighting(dimmer switch not included)

## Warranty

- 3-year limited warranty

## TYPICAL SPECIFICATION

Ventilation fan shall be Delta Breez model ITG70LED; ENERGY STAR qualified with brushless DC motor engineered to run continuously for a minimum 70,000 hours; air flow rating of 70 CFM and loudness rating of 1.0 Sone at 0.1 static pressure as certified by the Home Ventilating Institute (HVI); power consumption of 8.4 Watts with efficiency rating of 8.3 CFM/Watt at 0.1" static pressure; motor lock protection and self-compensating motor speed for intended air flow when static pressure is encountered. UL and cUL listed for tub/shower enclosure when used with GFCI-protected branch circuit wiring.

ITG70LED	4" Duct (Standard)	
Static Pressure (Inches w.g.)	0.1	0.25
Air Flow (CFM)	70	59
Sones	1.0	1.5
Power Consumption (Watts)	8.4	10
Energy Efficiency (CFM/Watt)	8.3	5.9
Current (Amps)	0.22 Max	
Power Rating (V/Hz)	120 / 60	