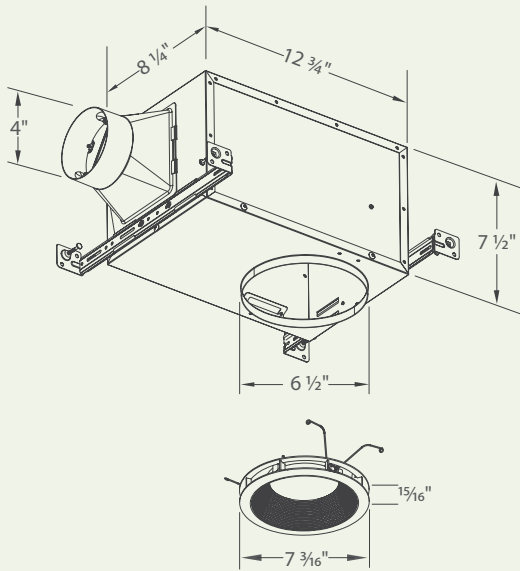




Delta BreezRecessed Ventilation Recessed fan/Dimmable LED light Specifications

REC80LED
(80 CFM)

Dimensions



Fan Curve

Description

Delta BreezRecessed REC80LED is the only recessed fan/Dimmable LED light and night-light on the market with energy-efficient, brushless DC motor for energy savings and long life. Quiet operation ventilating fan with low profile, rated for continuous running. Fan has been awarded ENERGY STAR®. It is HVI, UL, and cUL certified, and can be used to comply with ASHRAE 62.2 local and whole building continuous and intermittent operation. Meets CA Title 24 requirements.

DC Motor/Blower

- Power Rating of 120 Volts/60Hz
- DC Brushless motor engineered to run continuously
- Motor equipped with thermal cutoff fuse
- Removable with permanently lubricated plug-in motor
- Built-in soft start function to increase bearings' life
- Automatically powers OFF when impeller is locked abnormally

Housing

- Galvanized steel body
- Detachable 4" diameter metal duct adapter
- Built-in backdraft damper
- Easy installation with expandable extension bracket

Grille

- Attractive design using PP material
- Attaches directly to housing with torsion springs

Light

- LED life is 30,000 hours (compare with 10,000-hour CFL life)
- 11-Watt Dimmable LED main light and 2-Watt LED night light included (dimmer switch not included)
- Warm, white LED main light output: 1000 Lumens; 2700K; 80 CRI for high color accuracy

Warranty

- 3-year limited warranty

TYPICAL SPECIFICATION

Ventilation fan shall be Delta Breez model REC80LED; ENERGY STAR qualified with DC brushless motor engineered to run continuously for a minimum 70,000 hours; airflow rating of 80 CFM and loudness rating of 1.5 Sones at 0.1 static pressure as certified by the Home Ventilating Institute (HVI); power consumption of 14.5 Watts with efficiency rating of 6.1 CFM/Watt; fan features motor lock protection. UL and cUL listed for tub/shower enclosure when used with GFCI-protected branch circuit wiring

Specifications

BreezRecessed REC80LED	4" Duct (Standard)	
Static Pressure (Inches w.g.)	0.1	0.25
Air Flow (CFM)	80	65
Sones	1.5	2.0
Power Consumption (Watts)	14.5	14.5
Energy Efficiency (CFM/Watt)	6.1	5.4
Current (Amps)	0.34 Max	
Power Rating (V/Hz)	120 / 60	
LED Main Light (Watt)	11	
LED Night Light (Watt)	2	

