



	4" Duct (Standard):	
	110 CFM/0.4 Sones @ 0.1" SP, 14.8 Watts	
	94 CFM/0.8 Sones @ 0.25" SP, 17.3 Watts	

Description

Low noise ceiling mount ventilating fan/Dimmable LED light rated for continuous running. Fan has been ENERGY STAR qualified, HVI, UL and cUL certified, and can be used to comply with ASHRAE 62.2 (local and whole building continuous and intermittent operation).

DC Motor/Blower

- Power Rating of 120 volts/60Hz
- DC brushless motor engineered to run continuously
- Motor equipped with thermal cutoff fuse
- Removable with permanently lubricated plug-in motor
- Built-in soft start function to increase bearings' life
- Automatically powers OFF when impeller is locked abnormally

Housing

- Galvanized steel body
- Detachable 4" diameter metal duct adapter
- Built-in backdraft damper
- Easy installation with expandable extension bracket

Grille

- Attractive design using ABS material
- Attaches directly to housing with torsion springs

Light

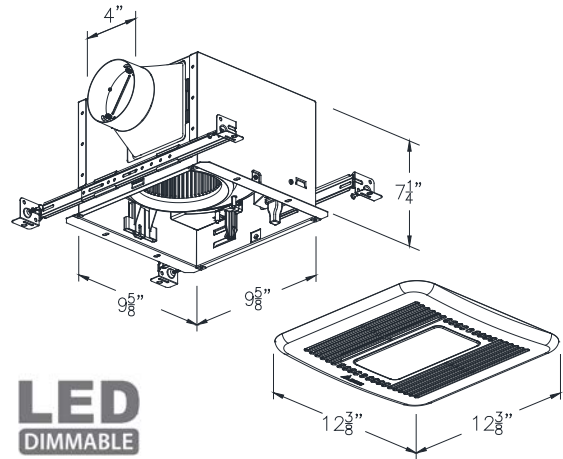
- 13-Watt LED light included (equivalent to a 60-Watt incandescent bulb)
- Light output 850 Lumens, 90CRI, 2700K, 4000k, 5000k (adjustable color temperature)
- Dimmable Lighting(dimmer switch not included)

Warranty

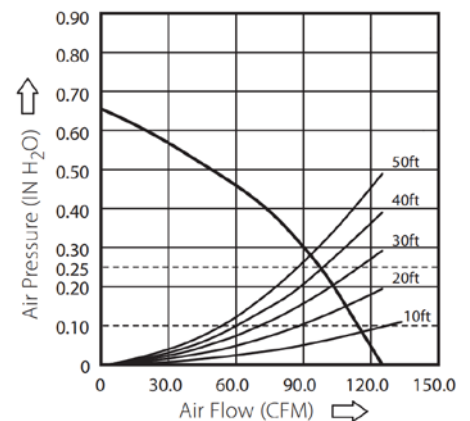
- 3-Year limited warranty

TYPICAL SPECIFICATION

Ventilation fan shall be Delta Breez model 110LED-ADJ; ENERGY STAR qualified with Brushless DC Motor engineered to run continuously for a minimum 70,000 hours; airflow rating of 110 CFM and loudness rating of 0.4 sones at 0.1 static pressure as certified by the Home Ventilating Institute (HVI); power consumption of 14.8 Watts with efficiency rating of 8.4 CFM/Watt at 0.1" static pressure; fan will feature motor lock protection and self-compensating motor speed for intended airflow when static pressure is encountered. UL and cUL listed for tub/shower enclosure when used with GFCI-protected branch circuit wiring.



Fan Curve



BreezSignature 110LED-ADJ	4" Duct (Standard)	
Static Pressure (inches w.g.)	0.1	0.25
Air Flow (CFM)	110	94
Sones	0.4	0.8
Power Consumption (Watts)	14.8	17.3
Energy Efficiency (CFM/Watt)	8.4	6.0
Current (Amps)	0.48 Max	
Power Rating (V/Hz)	120 / 60	
LED Light (Watt)	13	

Model	Quantity	Comments	Project:
			Location:
			Architect:
			Engineer:
			Contractor:
			Submitted by:
			Date: