

### Description

SIG-CRD Ceiling Radiation Damper is UL and cUL listed, and exceeds UL 555C for use in 3-hour fire rated assemblies. SIG-CRD is also Warnock-Hersey certified for use in fire rated floor/ceiling or roof/ceiling assemblies.

### Application

- The SIG-CRD ceiling radiation damper employs a folded curtain style blade for point-of-origin control of radiant heat in a ventilation system
- The SIG-CRD is to be installed horizontally in the ceiling membrane for the floor/ceiling or roof/ceiling assemblies with a re resistance rating up to and including 3 hours
- Ventilation fans shall be ducted out of the plenum space using any UL 181 Class 0 or Class 1 duct
- UL listed as fan/damper assembly for the following Wood Frame Construction designs: L521, L546, L558, L562, L574, L576, L581, L583, L585, P522, P533, P538 and P545.
- Intended for installation with the following UL Listed Delta Electronic Fan Models SIG80, SIG80D, SIG80L, SIG80H, SIG80HL, SIG80DL, SIG80M, SIG80MLED, SIG110, SIG110D, SIG110L, SIG110M, SIG110H, SIG110HL, SIG110DL, SIG110LED, SIG80-110, SIG80-110D, SIG80-110H, SIG80-110MH, SIG80-110LED, SIG80-110DLED, SIG80-110HLED and SIG80-110MHLED.

### Features

- Galvanized steel frame and sleeve
- Folded ceramic curtain blade
- 165°F fusible link
- Size: 9.75" x 10"
- High temperature, non-asbestos, reinforced fiber thermal fabric

### Warranty

- 3-year limited warranty

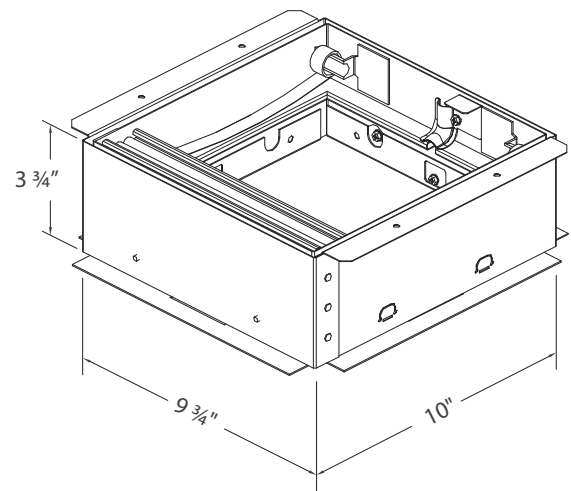
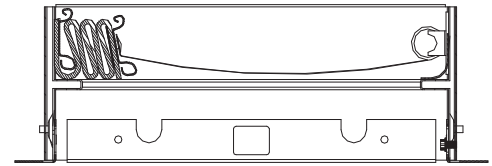
Information is subject to change without notice or obligation

### Ratings

- UL 555C Fire Resistance Rating: 3 hour (horizontal, for use in 1, 2, or 3 hour rated assemblies)

### Listings

- CSFM listing: 3226-0368:104
- UL 555C listing: R27832
- Warnock Hersey listing #: 102195501SAT-002
- Meets NFPA Standards: 90A and 101
- Meets Building Code Standards: IBC, NBC, NFPA, SBC, and UBC



| Model | Quantity | Comments | Project:      |
|-------|----------|----------|---------------|
|       |          |          | Location:     |
|       |          |          | Architect:    |
|       |          |          | Engineer:     |
|       |          |          | Contractor:   |
|       |          |          | Submitted by: |
|       |          |          | Date:         |