



(Fan with Dual Speed - 110 CFM)



**Full Speed:**  
110 CFM/<0.3 Sones @ 0.1 SP, 13.6 Watts  
95 CFM/0.6 Sones @ 0.25 SP, 16.0 Watts

**Low Speed:**  
30 CFM/<0.3 Sones @ 0.1 SP, 4.8 Watts  
31 CFM/<0.3 Sones @ 0.25 SP, 8.9 Watts



## Description

Low noise ceiling mount ventilating fan with dual speed rated for continuous running. ENERGY STAR® qualified. It is HVI, UL, and cUL certified, and can be used to comply with ASHRAE 62.2 (local and whole building continuous and intermittent operation). Meets CA Title 24 requirements.

## DC Motor/Blower

- Power rating of 120 volts/60Hz
- DC brushless motor engineered to run continuously
- Motor equipped with thermal cutoff fuse
- Removable with permanently lubricated plug-in motor
- Allows fan to operate in full speed mode or continuous low speed mode by manual switch
- For continuous low speed mode, the fan runs continuously at a user-preset lower level (0, 30, 60, or 80 CFM)
- Delay time preset positions (0.5, 5, 15, 30, 45, or 60 min)
- Built-in soft start function to increase bearings' life
- Automatically powers off when impeller is locked abnormally
- Self-compensating motor speed for intended airflow when static pressure is encountered

## Housing

- Galvanized steel body
- Detachable 4" diameter metal duct adapter
- Built-in backdraft damper
- Easy installation with expandable extension bracket

## Grille

- Attractive design using ABS material
- Attaches directly to housing with torsion springs

## LED Indicator

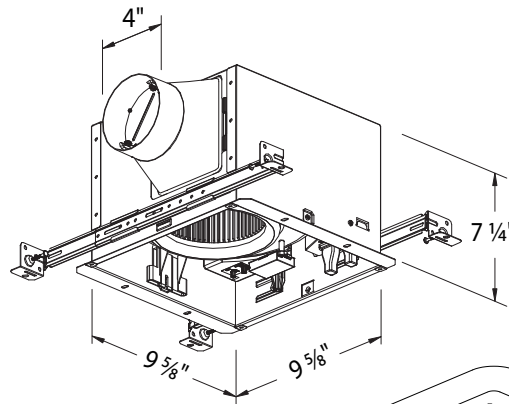
- Green and amber LED indicator lights show continuous low speed and full speed modes

## Warranty

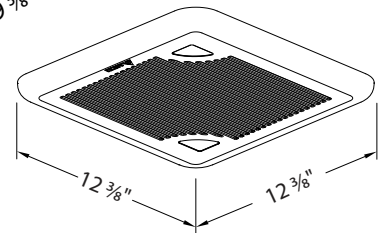
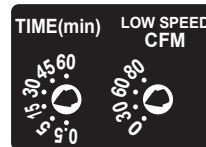
- 3-Year limited warranty

## TYPICAL SPECIFICATION

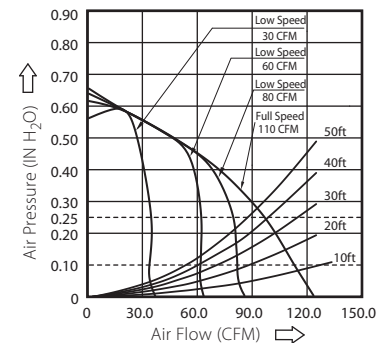
Ventilation fan shall be Delta Breez model SIG110D; ENERGY STAR qualified with Brushless DC Motor engineered to run continuously for a minimum 70,000 hours; airflow rating of 110 CFM and loudness rating of <0.3 Sones at 0.1 static pressure as certified by the Home Ventilating Institute (HVI); power consumption of 13.6 Watts with efficiency rating of 9.0 CFM/Watt; fan will feature LED indicator running light, motor lock protection and self-compensating motor speed for intended airflow when static pressure is encountered. UL and cUL listed for tub/shower enclosure when used with GFCI-protected branch circuit wiring.



### Built-in Controls



Fan Curve



BreezSignature SIG110D	4" Duct (Standard)							
Static Pressure (inches w.g.)	0.1	0.25	0.1	0.25	0.1	0.25	0.1	0.25
Air Flow (CFM)	30	31	60	61	80	79	110	95
Sones	<0.3	<0.3	<0.3	0.3	<0.3	0.5	<0.3	0.6
Power Consumption (Watts)	4.8	8.9	6.7	11.8	8.7	14.0	13.6	16.0
Energy Efficiency (CFM/Watt)	7.7	4.1	9.9	5.6	9.7	6.3	9.0	6.4
Current (Amps)	0.38 Max							
Power Rating (V/Hz)	120 / 60							

Model	Quantity	Comments	Project:
			Location:
			Architect:
			Engineer:
			Contractor:
			Submitted by:
			Date: