



(Fan/Light/Night-Light with Humidity Sensor - 110 CFM)



Full Speed:

110 CFM/0.4 Sones @ 0.1 SP, 14.5 Watts
95 CFM/0.8 Sones @ 0.25 SP, 17.0 Watts

Low Speed:

30 CFM/<0.3 Sones @ 0.1 SP, 5.4 Watts
31 CFM/<0.3 Sones @ 0.25 SP, 9.3 Watts



Description

Low noise ceiling mount ventilating fan/Light/Night-Light with Humidity Sensor rated for continuous running. ENERGY STAR® qualified. It is HVI, UL, and cUL certified, and can be used to comply with ASHRAE 62.2 (local and whole building continuous and intermittent operation). Meet CA Title 24 requirements.

DC Motor/Blower

- Power rating of 120 volts/60Hz
- DC brushless motor engineered to run continuously
- Motor equipped with thermal cutoff fuse
- Removable with permanently lubricated plug-in motor
- Allows fan to operate in full speed mode or humidity control mode by manual switch
- For humidity control mode, when humidity is above the user-adjustable set-point, fan runs at full speed (110 CFM). When humidity is below the set-point, the fan runs continuously at a pre-set lower level (0, 30, 60, or 80 CFM)
- Adjustable humidity set points between ~50% to ~90% RH
- Built-in soft start function to increase bearings' life
- Automatically powers off when impeller is locked abnormally
- Self-compensating motor speed for intended airflow when static pressure is encountered

Housing

- Galvanized steel body
- Detachable 4" diameter metal duct adapter
- Built-in backdraft damper
- Easy installation with expandable extension bracket

Grille

- Attractive design using ABS material

Light

- (1) GU24 26-watt compact fluorescent lamp included
- (1) E12 4-watt night light included
- Main light output 1850 Lumens, 2700K

LED Indicator

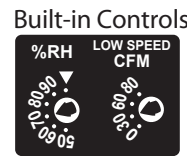
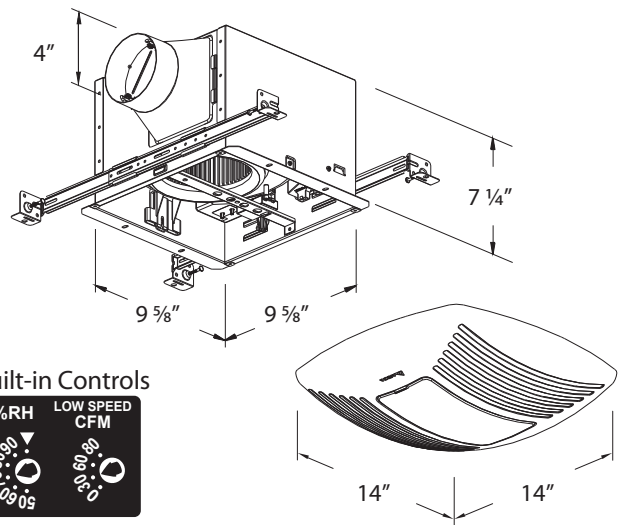
- Blue and amber LED indicator lights to show humidity sensor and full speed modes

Warranty

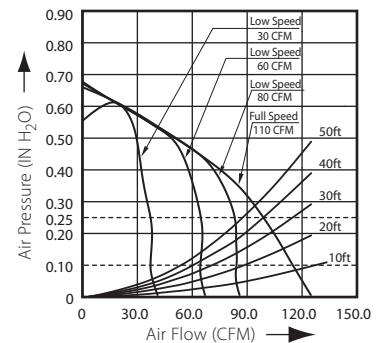
- 3-Year limited warranty

TYPICAL SPECIFICATION

Ventilation fan shall be Delta Breez model SIG110HL; ENERGY STAR qualified with Brushless DC Motor engineered to run continuously for a minimum 70,000 hours; airflow rating of 110 CFM and loudness rating of 0.4 Sones at 0.1 static pressure as certified by the Home Ventilating Institute (HVI); power consumption of 14.5 Watts with efficiency rating of 8.5 CFM/Watt; fan will feature LED indicator running light, motor lock protection and self-compensating motor speed for intended airflow when static pressure is encountered. UL and cUL listed for tub/shower enclosure when used with GFCI-protected branch circuit wiring.



Fan Curve



BreezSignature SIG110HL	4" Duct (Standard)							
Static Pressure (inches w.g.)	0.1	0.25	0.1	0.25	0.1	0.25	0.1	0.25
Air Flow (CFM)	30	31	60	61	80	80	110	95
Sones	<0.3	<0.3	<0.3	0.4	<0.3	0.6	0.4	0.8
Power Consumption (Watts)	5.4	9.3	7.7	12.8	9.5	14.9	14.5	17.0
Energy Efficiency (CFM/Watt)	7.6	4.3	9.0	5.6	9.4	6.2	8.5	6.2
Current (Amps)	0.82 Max							
Power Rating (V/Hz)	120 / 60							
Main Light (Watt)	26							
Night Light (Watt)	4							

Model	Quantity	Comments	Project:
			Location:
			Architect:
			Engineer:
			Contractor:
			Submitted by:
			Date: