



(Fan/LED Light/Night-Light - 110 CFM)



**4" Duct (Standard):**  
 110 CFM/0.4 Sones @ 0.1 SP, 14.8 Watts  
 94 CFM/0.8 Sones @ 0.25 SP, 17.3 Watts



**Description**

Low noise ceiling mount ventilating fan/LED light/night-night rated for continuous running. ENERGY STAR® qualified. It is HVI, UL and cUL certified to comply with ASHRAE 62.2 local and whole building continuous and intermittent operation. Meets CA Title 24 requirements.

**DC Motor/Blower**

- Power rating of 120 volts/60Hz
- DC brushless motor engineered to run continuously
- Motor equipped with thermal cutoff fuse
- Removable with permanently lubricated plug-in motor
- Built-in soft start function to increase bearings' life
- Automatically powers OFF when impeller is locked abnormally
- Self-compensating motor speed for intended airflow when static pressure is encountered

**Housing**

- Galvanized steel body
- Detachable 4" diameter metal duct adapter
- Built-in backdraft damper
- Easy installation with expandable extension bracket

**Grille**

- Attractive design using ABS material
- Attaches directly to housing with torsion springs

**Light**

- (1) 13-Watt LED main light included
- (1) 2-Watt LED night light included
- Main light output 800 Lumens, 2700K

**LED Indicator**

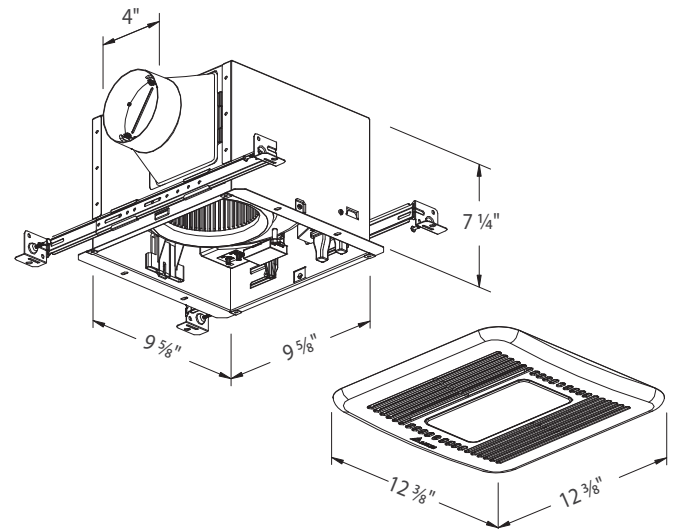
- Turn the power switch on/off to operate on/off. LED indicator will be green when power is on

**Warranty**

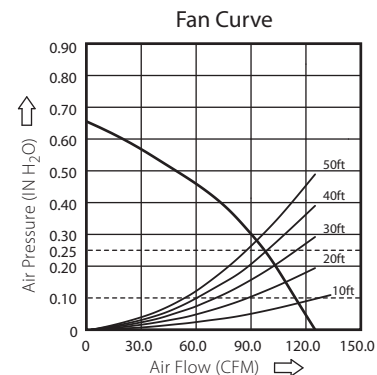
- 3-Year limited warranty

**TYPICAL SPECIFICATION**

Ventilation fan shall be Delta Breez model SIG110LED; ENERGY STAR qualified with Brushless DC Motor engineered to run continuously for a minimum 70,000 hours; airflow rating of 110 CFM and loudness rating of 0.4 Sones at 0.1 static pressure as certified by the Home Ventilating Institute (HVI); power consumption of 14.8 Watts with efficiency rating of 8.4 CFM/Watt at 0.1" static pressure; fan will feature LED indicator running light, motor lock protection and self-compensating motor speed for intended airflow when static pressure is encountered. UL and cUL listed for tub/shower enclosure when used with GFCI-protected branch circuit wiring.



<b>BreezSignature SIG110LED</b>	<b>4" Duct (Standard)</b>	
Static Pressure (inches w.g.)	0.1	0.25
Air Flow (CFM)	110	94
Sones	0.4	0.8
Power Consumption (Watts)	14.8	17.3
Energy Efficiency (CFM/Watt)	8.4	6.0
Current (Amps)	0.48 Max	
Power Rating (V/Hz)	120 / 60	
LED Main Light (Watt)	13	
LED Night Light (Watt)	2	



Model	Quantity	Comments	Project:
			Location:
			Architect:
			Engineer:
			Contractor:
			Submitted by:
			Date: