



4" Duct (Standard):
110 CFM/0.4 Sones @ 0.1 SP, 14.5 Watts
95 CFM/0.8 Sones @ 0.25 SP, 17.0 Watts



Description

Low noise ceiling mount ventilating fan/light/night-light rated for continuous running. Fan has been awarded ENERGY STAR®. It is HVI, UL, and cUL certified, and can be used to comply with ASHRAE 62.2 (local and whole building continuous and intermittent operation). Meets CA Title 24 requirements.

DC Motor/Blower

- Power rating of 120 volts/60Hz
- DC brushless motor engineered to run continuously
- Motor equipped with thermal cutoff fuse
- Removable with permanently lubricated plug-in motor
- Built-in soft start function to increase bearings' life
- Automatically powers OFF when impeller is locked abnormally

Housing

- Galvanized steel body
- Detachable 4" diameter metal duct adapter
- Built-in backdraft damper
- Easy installation with expandable extension bracket

Grille

- Attractive design using ABS material

Light

- (1) GU24 26-watt compact fluorescent lamp included
- (1) E12 4-watt night light included
- Main light output 1850 Lumens, 2700K

LED Indicator

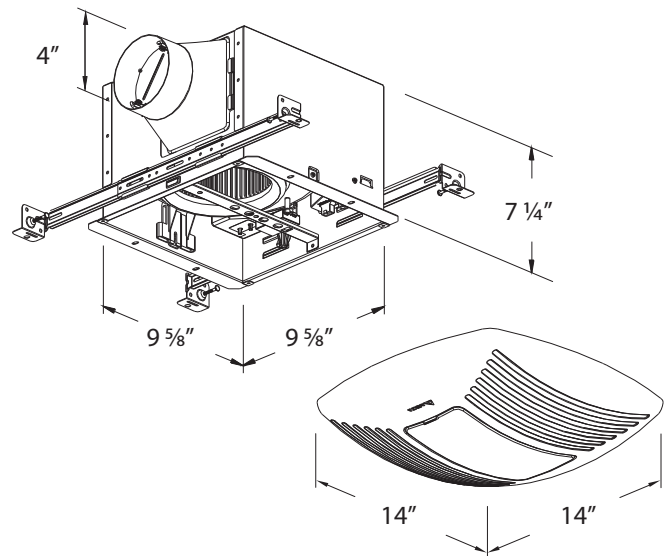
- Turn the power switch on/off to operate on/off. LED indicator will be green when power is on

Warranty

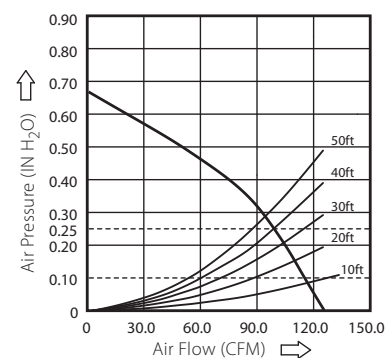
- 3-Year limited warranty

TYPICAL SPECIFICATION

Ventilation fan shall be Delta Breez model SIG110L; ENERGY STAR qualified with Brushless DC Motor engineered to run continuously for a minimum 70,000 hours; airflow rating of 110 CFM and loudness rating of 0.4 Sones at 0.1 static pressure as certified by the Home Ventilating Institute (HVI); power consumption of not more than 14.5 Watts with Energy efficiency rating of not less than 8.5 CFM/Watt at 0.1" static pressure; fan will feature LED indicator running light and motor lock protection; fan shall be UL/cUL listed for use over a bathtub or shower when installed in a GFCI protected branch circuit.



Fan Curve



BreezSignature SIG110L	4" Duct (Standard)	
Static Pressure (inches w.g.)	0.1	0.25
Air Flow (CFM)	110	95
Sones	0.4	0.8
Power Consumption (Watts)	14.5	17.0
Energy Efficiency (CFM/Watt)	8.5	6.2
Current (Amps)	0.82 Max	
Power Rating (V/Hz)	120/60	
Main Light (Watt)	26	
Night Light (Watt)	4	

Model	Quantity	Comments	Project:
			Location:
			Architect:
			Engineer:
			Contractor:
			Submitted by:
			Date: