



(Fan/Dimmable LED Light/Adjustable Color Temperature – 80/110 CFM)

	<b>Full Speed:</b>	<b>Full Speed:</b>		
	80 CFM/<0.3 Sones @ 0.1" SP, 7.5 Watts 80 CFM/0.8 Sones @ 0.25" SP, 11.5 Watts	110 CFM/0.5 Sones @ 0.1" SP, 9.9 Watts 109 CFM/1.0 Sones @ 0.25" SP, 15.5 Watts		

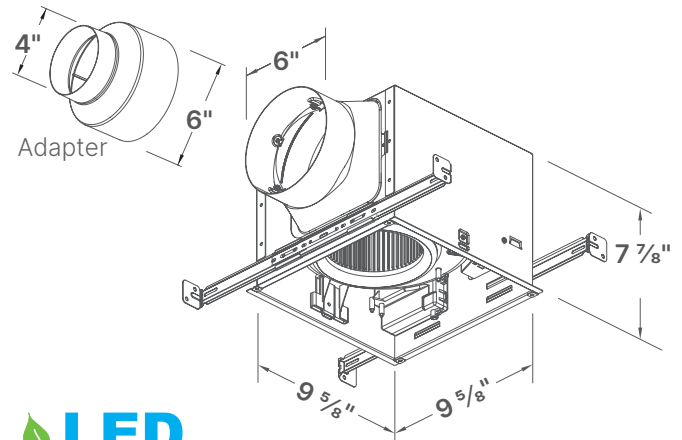
### Description

Low noise ceiling mount ventilating fan/dimmable LED light/night-light with humidity sensor rated for continuous running. Fan has been awarded ENERGY STAR® Most Efficient. It is HVI, UL, and cUL certified to comply with ASHRAE 62.2 local and whole building continuous and intermittent operation.

fan will feature motor lock protection and self-compensating motor speed for intended airflow when static pressure is encountered. UL and cUL listed for tub/shower enclosure when used with GFCI-protected branch circuit wiring.

### DC Motor/Blower

- Power rating of 120 volts/60Hz
- Brushless DC motor engineered to run continuously
- Motor equipped with thermal cutoff fuse
- Removable with permanently lubricated plug-in motor
- Full speed adjustable, 80 or 110 CFM
- Built-in soft start function increases bearing life
- Automatically powers OFF if impeller is locked abnormally
- Self-compensating motor speed for intended airflow when static pressure is encountered



### Housing

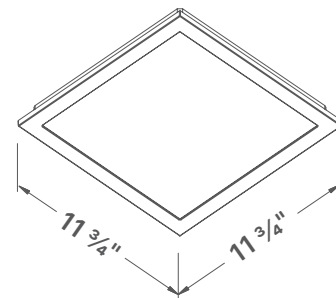
- Galvanized steel body
- Detachable 6" diameter metal duct adapter
- Includes 6" to 4" duct reducer
- Built-in backdraft damper
- Easy installation with expandable extension bracket



- 3000K
  - 4000K
  - 5000K
- (CCT Switch)

### Grille

- Attractive design integrating with LED lighting
- Attaches directly to housing with torsion springs
- White



### Light

- (1) 13-Watt LED main light included (equivalent to a 60-Watt incandescent bulb)
- (1) 2-Watt LED night-light included
- Main light output: 1000 Lumens, 3000K, 4000K, 5000K, and 90 CRI



High Speed Switch

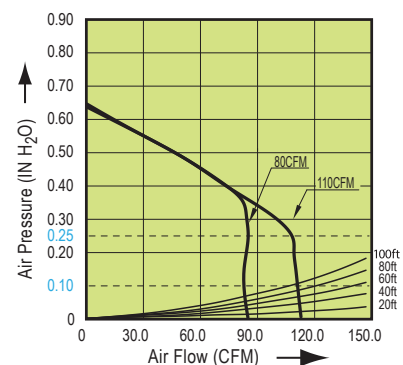
### Warranty

- 3-Year limited warranty

### TYPICAL SPECIFICATION




Ventilation fan shall be Delta Breez model SIG80-110ELED; ENERGY STAR qualified with Brushless DC Motor engineered to run continuously for a minimum 70,000 hours; airflow rating of 110 CFM and loudness rating of 0.5 Sones at 0.1" static pressure as certified by the Home Ventilating Institute (HVI); power consumption of 9.9 Watts with efficiency rating of 11.8 CFM/Watt at 0.1" static pressure;

**SIG80-110ELED Fan Curve**





(Fan/Dimmable LED Light/Adjustable Color Temperature – 80/110 CFM)

	<b>Full Speed:</b> 80 CFM/<0.3 Sones @ 0.1" SP, 7.5 Watts 80 CFM/0.8 Sones @ 0.25" SP, 11.5 Watts	<b>Full Speed:</b> 110 CFM/0.5 Sones @ 0.1" SP, 9.9 Watts 109 CFM/1.0 Sones @ 0.25" SP, 15.5 Watts		
---	---	--	---	---

<b>BreezSignature SIG80-110ELED</b>				
6" Duct Standard				
Fan Speed	Full Speed			
Static Pressure (Inches w.g.)	0.1	0.25	0.1	0.25
Air Flow (CFM)	80	80	110	109
Sones	<0.3	0.8	0.5	1.0
Power Consumption (Watts)	7.5	11.5	9.9	15.5
Energy Efficiency (CFM/Watts)	11.7	7.6	11.8	7.3
Current (Amps)	0.48 Max			
Power Rating (V/Hz)	120 / 60			
LED Main Light (Watts)	13			

<b>BreezSignature SIG80-110ELED</b>				
4" Duct Standard				
Fan Speed	Full Speed			
Static Pressure (Inches w.g.)	0.1	0.25	0.1	0.25
Air Flow (CFM)	80	79	110	99
Sones	0.3	1.1	1.0	1.4
Power Consumption (Watts)	8.5	12.5	14.0	15.5
Energy Efficiency (CFM/Watts)	10.7	7.0	8.1	6.6
Current (Amps)	0.48 Max			
Power Rating (V/Hz)	120 / 60			
LED Main Light (Watts)	13			

Models	Quantity	Comments	Project:
			Location:
			Architect:
			Engineer:
			Contractor:
			Submitted by:
			Date: