



MODEL SIG80-110MH

(Fan with Motion and Humidity Dual Sensor – 80/110 CFM)

	Full Speed:	Full Speed:		
	80 CFM/<0.3 Sones @ 0.1" SP, 6.2 Watts 80 CFM/0.5 Sones @ 0.25" SP, 9.9 Watts	110 CFM/<0.3 Sones @ 0.1" SP, 8.2 Watts 110 CFM/0.8 Sones @ 0.25" SP, 14.1 Watts		

Description

Low noise ceiling mount ventilating fan with motion and humidity sensor rated for continuous running. Fan is ENERGY STAR® Most Efficient 2018. It is HVI, UL, and cUL certified to comply with ASHRAE 62.2 local and whole building continuous and intermittent operation. Meets CA Title 24 requirements.

DC Motor/Blower

- Power rating of 120 volts/60Hz
- Brushless DC motor engineered to run continuously
- Motor equipped with thermal cutoff fuse
- Removable with permanently lubricated plug-in motor
- Full speed adjustable, 80 or 110 CFM
- When motion is detected, fan runs at full speed. When user leaves, fan remains running at full speed until delay time (20 minutes) has passed, then fan runs humidity control mode
- For humidity control mode, when humidity is above the user-adjustable set-point, fan runs at full speed. When humidity is below the set-point, the fan runs continuously at a pre-set lower level (0, 30, 50, 60, or 80CFM)
- Adjustable humidity set points between ~50% to ~90% RH
- Built-in soft start function to increase bearings' life
- Automatically powers OFF when impeller is locked abnormally
- Self-compensating motor speed for intended airflow when static pressure is encountered

Housing

- Galvanized steel body
- Detachable 6" diameter metal duct adapter
- Includes 6" to 4" duct reducer
- Built-in backdraft damper
- Easy installation with expandable extension bracket

Grille

- Attractive design using ABS material
- Attaches directly to housing with torsion springs

LED Indicator

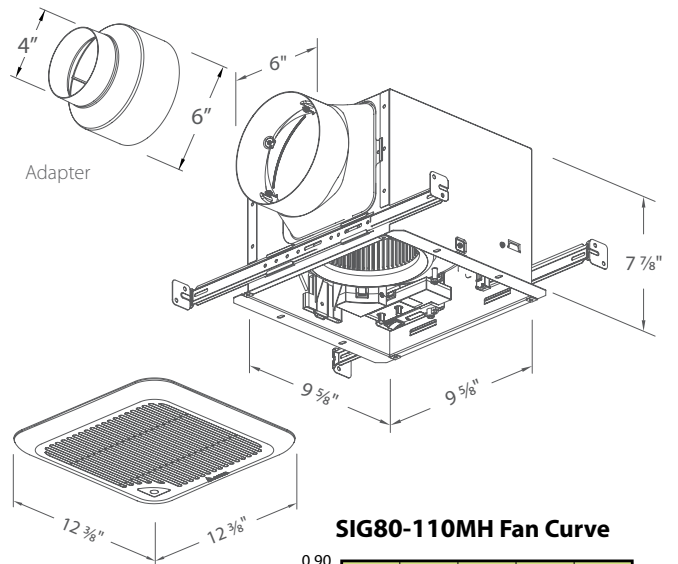
- Blue and amber LED indicator lights to show humidity sensor and full speed modes

Warranty

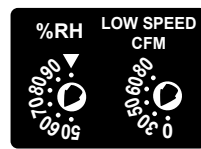
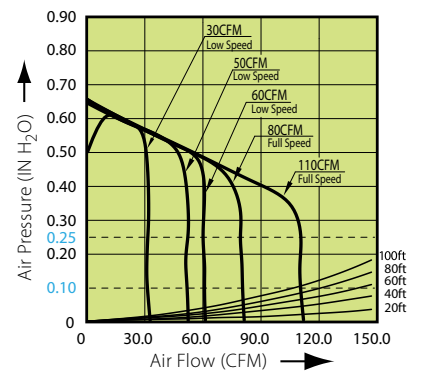
- 3-Year limited warranty

TYPICAL SPECIFICATION

Ventilation fan shall be Delta Breez model SIG80-110MH; ENERGY STAR qualified with Brushless DC Motor engineered to run continuously for a minimum 70,000 hours; airflow rating of 110 CFM and loudness rating of <0.3 Sones at 0.1" static pressure as certified by the Home Ventilating Institute (HVI); power consumption of 8.2 Watts with efficiency rating of 15.3 CFM/Watt at 0.1" static pressure; fan will feature motor lock protection and self-compensating motor speed for intended airflow when static pressure is encountered. UL and cUL listed for tub/shower enclosure when used with GFCI-protected branch circuit wiring.



SIG80-110MH Fan Curve



BreezSignature SIG80-110MH												
Fan Speed	Continuous Low Speed										Full Speed	
Static Pressure (Inches w.g.)	0.1	0.25	0.1	0.25	0.1	0.25	0.1	0.25	0.1	0.25	0.1	0.25
Air Flow (CFM)	30	30	50	50	60	60	80	80	80	80	110	110
Sones	<0.3	<0.3	<0.3	<0.3	<0.3	0.3	<0.3	0.5	<0.3	0.5	<0.3	0.8
Power Consumption (Watts)	4.4	6.3	4.8	7.3	5.5	8.6	6.2	9.9	6.2	9.9	8.2	14.1
Energy Efficiency (CFM/Watts)	9.0	5.9	13.5	8.0	13.3	8.0	15.4	9.0	15.4	9.0	15.3	8.7
Current (Amps)	0.38 Max											
Power Rating (V/Hz)	120/60											

Model	Quantity	Comments	Project:
			Location:
			Architect:
			Engineer:
			Contractor:
			Submitted by:
			Date: