



(Fan/Light/Night-Light - 80 CFM)



4" Duct (Standard):
 80 CFM/<0.3 Sones @ 0.1 SP, 9.5 Watts
 80 CFM/0.6 Sones @ 0.25 SP, 14.9 Watts



Description

Low noise ceiling mount ventilating fan/light/night-light rated for continuous running. Fan has been awarded ENERGY STAR®. It is HVI, UL, and cUL certified, and can be used to comply with ASHRAE 62.2 (local and whole building continuous and intermittent operation). Meet CA Title 24 requirements.

DC Motor/Blower

- Power rating of 120 volts/60Hz
- DC brushless motor engineered to run continuously
- Motor equipped with thermal cutoff fuse
- Removable with permanently lubricated plug-in motor
- Built-in soft start function to increase bearings' life
- Automatically powers off when impeller is locked abnormally
- Self-compensating motor speed for intended airflow when static pressure is encountered

Housing

- Galvanized steel body
- Detachable 4" diameter metal duct adapter
- Built-in backdraft damper
- Easy installation with expandable extension bracket

Grille

- Attractive design using ABS material

Light

- (1) GU24 26-watt compact fluorescent lamp included
- (1) E12 4-watt night light included
- Main light output 1850 Lumens, 2700K

LED Indicator

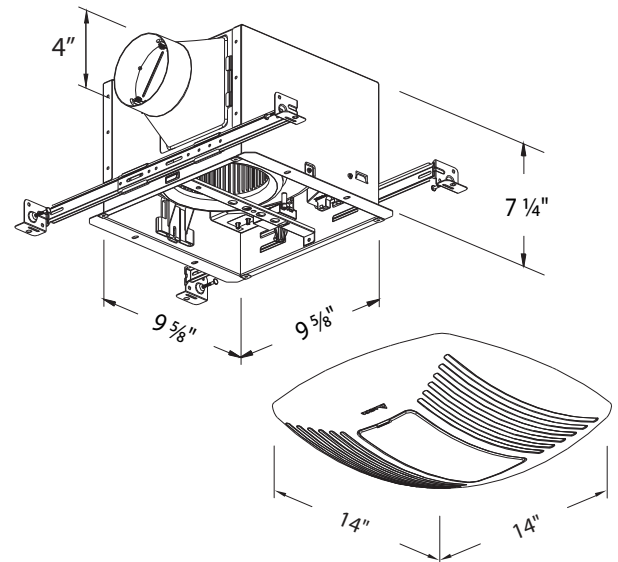
- Turn the power switch on/off to operate on/off.
 LED indicator will be green when power is on

Warranty

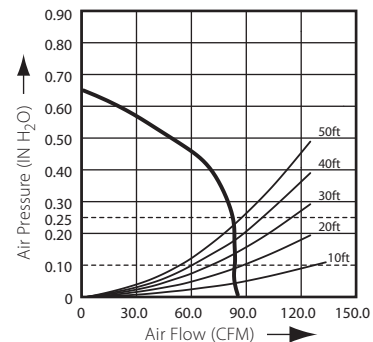
- 3-Year limited warranty

TYPICAL SPECIFICATION

Ventilation fan shall be Delta Breez model SIG80L; ENERGY STAR qualified with Brushless DC Motor engineered to run continuously for a minimum 70,000 hours; airflow rating of 80 CFM and loudness rating of <0.3 Sones at 0.1 static pressure as certified by the Home Ventilating Institute (HVI); power consumption of 9.5 Watts with efficiency rating of 9.4 CFM/Watt; fan will feature LED indicator running light, motor lock protection and self-compensating motor speed for intended airflow when static pressure is encountered. UL and cUL listed for tub/shower enclosure when used with GFCI-protected branch circuit wiring



Fan Curve



BreezSignature SIG80L	4" Duct (Standard)	
Static Pressure (inches w.g.)	0.1	0.25
Air Flow (CFM)	80	80
Sones	<0.3	0.6
Power Consumption (Watts)	9.5	14.9
Energy Efficiency (CFM/Watt)	9.4	6.2
Current (Amps)	0.74 Max	
Power Rating (V/Hz)	120 / 60	
Lamp (Watts)	26	
Night Light (Watts)	4	

Model	Quantity	Comments	Project:
			Location:
			Architect:
			Engineer:
			Contractor:
			Submitted by:
			Date: