



(Fan/LED Light/Night-Light with Motion Sensor - 80 CFM)

	Full Speed:	Low Speed:		
	80 CFM/<0.3 Sones @ 0.1" SP, 9.5 Watts 80 CFM/0.6 Sones @ 0.25" SP, 14.9 Watts	30 CFM/<0.3 Sones @ 0.1 SP, 4.9 Watts 30 CFM/<0.3 Sones @ 0.25 SP, 9.0 Watts		

Description

Low noise ceiling mount ventilating fan/LED Light/Night-Light with motion sensor rated for continuous running. ENERGY STAR® qualified. HVI, UL and cUL certified to comply with ASHRAE 62.2 local and whole building continuous and intermittent operation. Meets CA Title 24 requirements.

DC Motor/Blower

- Power rating of 120 volts/60Hz
- DC brushless motor engineered to run continuously
- Motor equipped with thermal cutoff fuse
- Removable with permanently lubricated plug-in motor
- When motion is detected, fan runs at full speed (80CFM). When user leaves, fan remains running at full speed until delay time has passed, then fan runs continuously at a pre-set lower level (0, 30, 50, or 60 CFM)
- User-preset delay time positions (0.5, 5, 15, 30, 45, 60 min)
- Built-in soft start function to increase bearings' life
- Automatically powers off when impeller is locked abnormally
- Self-compensating motor speed for intended airflow when static pressure is encountered

Housing

- Galvanized steel body
- Detachable 4" diameter metal duct adapter
- Built-in backdraft damper
- Easy installation with expandable extension bracket

Grille

- Attractive design using ABS material
- Attaches directly to housing with torsion springs

Light

- (1) 13-Watt LED main light and (1) 2-Watt LED night light
- Main light output 800 Lumens, 2700K

LED Indicator

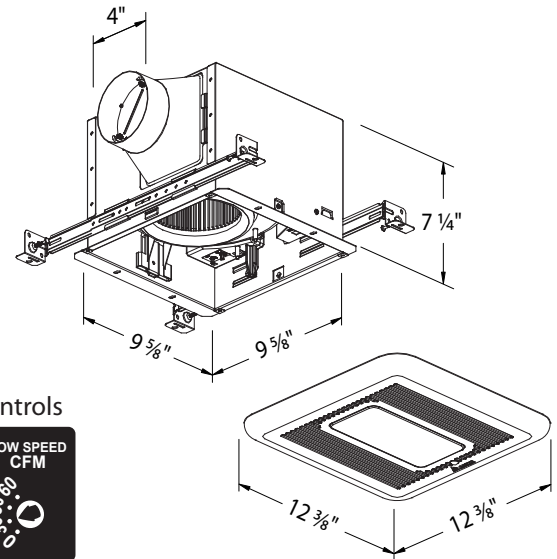
- Green and amber LED indicator lights to show motion sensing and full speed mode

Warranty

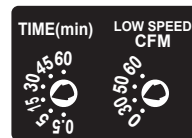
- 3-Year limited warranty

TYPICAL SPECIFICATION

Ventilation fan shall be Delta Breez model SIG80MLED; ENERGY STAR qualified with Brushless DC Motor engineered to run continuously for a minimum 70,000 hours; airflow rating of 80 CFM and loudness rating of <0.3 Sones at 0.1 static pressure as certified by the Home Ventilating Institute (HVI); power consumption of 9.5 Watts with efficiency rating of 9.3 CFM/Watt; fan will feature LED indicator running light, motor lock protection and self-compensating motor speed for intended airflow when static pressure is encountered. UL and cUL listed for tub/shower enclosure when used with GFCI-protected branch circuit wiring.

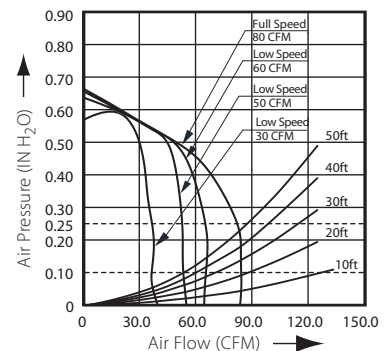


Built-in Controls



BreezSignature SIG80MLED	4" Duct (Standard)							
Static Pressure (inches w.g.)	0.1	0.25	0.1	0.25	0.1	0.25	0.1	0.25
Air Flow (CFM)	30	30	50	50	60	60	80	80
Sones	<0.3	<0.3	<0.3	0.4	<0.3	0.4	<0.3	0.6
Power Consumption (Watts)	4.9	9.0	6.1	11.4	7.2	12.5	9.5	14.9
Energy Efficiency (CFM/Watt)	7.6	4.2	8.9	5.2	9.3	5.9	9.3	6.2
Current (Amps)	0.40 Max							
Power Rating (V/Hz)	120 / 60							
LED Main Light (Watt)	13							
LED Night Light (Watt)	2							

Fan Curve



Model	Quantity	Comments	Project:
			Location:
			Architect:
			Engineer:
			Contractor:
			Submitted by:
			Date: