



(Fan with Motion Sensor - 80 CFM)

	Full Speed: 80 CFM/<0.3 Sones @ 0.1 SP, 8.7 Watts 79 CFM/0.5 Sones @ 0.25 SP, 14.0 Watts	Low Speed: 30 CFM/<0.3 Sones @ 0.1 SP, 4.8 Watts 31 CFM/<0.3 Sones @ 0.25 SP, 8.9 Watts		

Description

Low noise ceiling mount ventilating fan with motion sensor rated for continuous running. Fan has been awarded ENERGY STAR®. It is HVI, UL, and cUL certified, and can be used to comply with ASHRAE 62.2 (local and whole building continuous and intermittent operation). Meets CA Title 24 requirements.

DC Motor/Blower

- Power rating of 120 volts/60Hz
- DC brushless motor engineered to run continuously
- Motor equipped with thermal cutoff fuse
- Removable with permanently lubricated plug-in motor
- When motion is detected, fan runs at full speed (80CFM). When user leaves, fan remains running at full speed until delay time has passed, then fan runs continuously at a pre-set lower level (0, 30, 50, or 60 CFM)
- Delay time preset positions (0.5, 5, 15, 30, 45, 60 minutes)
- Built-in soft start function to increase bearings' life
- Automatically powers off when impeller is locked abnormally
- Self-compensating motor speed for intended airflow when static pressure is encountered

Housing

- Galvanized steel body
- Detachable 4" diameter metal duct adapter
- Built-in backdraft damper
- Easy installation with expandable extension bracket

Grille

- Attractive design using ABS material
- Attaches directly to housing with torsion springs

LED Indicator

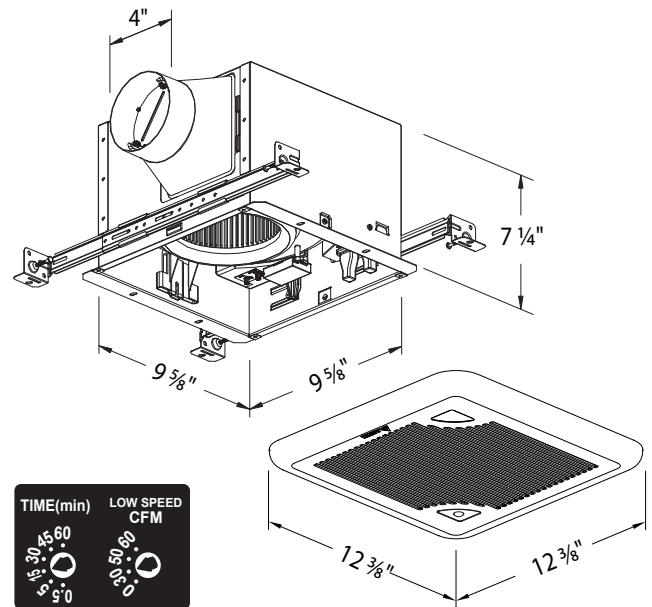
- Green and amber LED indicator lights to show motion sensing and full speed modes

Warranty

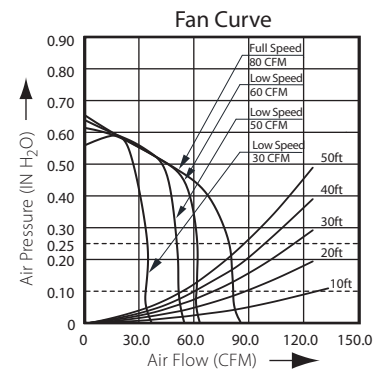
- 3-Year limited warranty

TYPICAL SPECIFICATION

Ventilation fan shall be Delta Breez model SIG80M; ENERGY STAR qualified with Brushless DC Motor engineered to run continuously for a minimum 70,000 hours; airflow rating of 80 CFM and loudness rating of <0.3 Sones at 0.1 static pressure as certified by the Home Ventilating Institute (HVI); power consumption of 8.7 Watts with efficiency rating of 9.7 CFM/Watt; fan will feature LED indicator running light, motor lock protection and self-compensating motor speed for intended airflow when static pressure is encountered. UL and cUL listed for tub/shower enclosure when used with GFCI-protected branch circuit wiring.



BreezSignature SIG80M	4" Duct (Standard)							
Static Pressure (inches w.g.)	0.1	0.25	0.1	0.25	0.1	0.25	0.1	0.25
Air Flow (CFM)	30	31	50	50	60	61	80	79
Sones	<0.3	<0.3	<0.3	<0.3	<0.3	0.3	<0.3	0.5
Power Consumption (Watts)	4.8	8.9	6.6	9.8	6.7	11.8	8.7	14.0
Energy Efficiency (CFM/Watt)	7.7	4.1	8.4	5.2	9.9	5.6	9.7	6.3
Current (Amps)	0.30 Max							
Power Rating (V/Hz)	120 / 60							



Model	Quantity	Comments	Project:
			Location:
			Architect:
			Engineer:
			Contractor:
			Submitted by:
			Date: