

Description

BreezSignature 110 CFM fan with Bluetooth® Stereo Speaker enables you to enjoy your favorite music, or hear real-time news, weather, traffic, or sports while the energy-efficient fan quietly ventilates your bathroom. Easily pairs with most Bluetooth wireless devices. Low noise ceiling mount ventilating fan with Bluetooth speaker, rated for continuous running. Fan has been awarded ENERGY STAR. It is HVI, UL and cUL certified, and can be used to comply with ASHRAE 62.2(local and whole building intermittent operation).

Motor/Blower

- Power rating of 110~220volts/50~60Hz
- Brushless DC motor engineered to run continuously
- Motor equipped with thermal cutoff fuse
- Permanently lubricated motor

Housing

- Galvanized steel body
- Detachable 4" diameter duct adapter
- Built-in backdraft damper
- Easy installation

Grille

- Attractive design using ABS material
- Attaches directly to housing with torsion springs

Bluetooth® Stereo Speaker assembly

- Bluetooth 2.1, Stereo Speaker 4ohm 2W x 2
- Speaker safety rating of IPX4 for water resistance
- Convenient device-to-speaker range of 32'
- Play audio through most Bluetooth wireless devices

Warranty

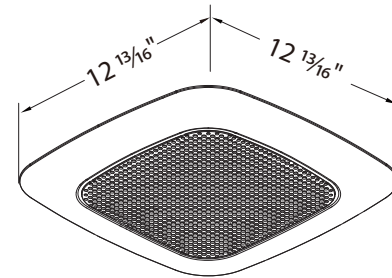
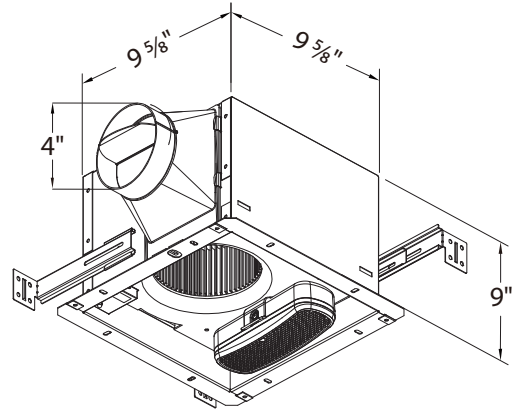
- 3-year limited warranty

Features

- For ceiling mount only, airflow of 110CFM(±10%) and approximately 1.0 Sone at 0.1" static pressure
- Power consumption approximately 14.2 Watts with an efficiency rating approximately 7.7CFM/Watt at 0.1" static pressure
- Duct diameter no less than 4"
- UL and cUL listed for tub/shower enclosure when used with GFCI-protected branch circuit wiring

DC Motor Technology

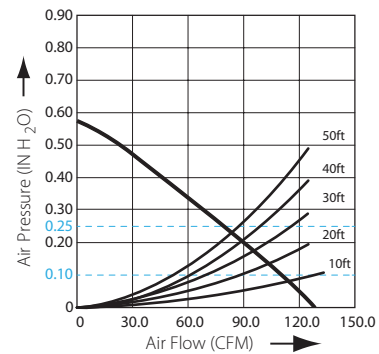
- Built-in soft start function to increase bearings' life
- Automatically powers OFF when impeller is locked abnormally



The Bluetooth® word mark and logos are registered trademarks owned by Bluetooth SIG, Inc. and any use of such marks by Delta Electronics, Inc. is under license. Other trademarks and trade names are those of their respective owners.

VFB25ADB	4" Duct (Standard)	
Static Pressure (inches w.g.)	0.1	0.25
Air Flow (CFM)	110	81
Sones	1.0	1.5
Power Consumption (Watts)	14.2	15.0
Energy Efficiency (CFM/Watt)	7.7	5.3
Current (Amps)	0.3 Max	
Power Rating (V/Hz)	110~220 / 50~60	

Fan Curve



Model	Quantity	Comments	Project:
			Location:
			Architect:
			Engineer:
			Contractor:
			Submitted by:
			Date: