



	<p>3" Duct (Standard): 70 CFM/2.0 Sones @ 0.1" SP, 13.2 Watts 50 CFM/1.5 Sones @ 0.25" SP, 11.6 Watts</p>		
--	--	--	--

Description

Low noise ceiling/wall mount ventilating fan with super low profile rated for continuous running. Fan has been awarded ENERGY STAR® qualified. It is HVI, UL, and cUL certified, and can be used to comply with ASHRAE 62.2 local and whole building intermittent operation.

DC Motor/Blower

- Power rating of 120 volts/60Hz
- DC brushless motor engineered to run continuously
- Motor equipped with thermal cutoff fuse
- Removable with permanently lubricated plug-in motor
- Built-in soft start function to increase bearings' life
- Automatically powers off when impeller is locked abnormally

Housing

- Galvanized steel body
- Detachable 3" diameter duct adapter
- Built-in backdraft damper
- Easy installation

Grille

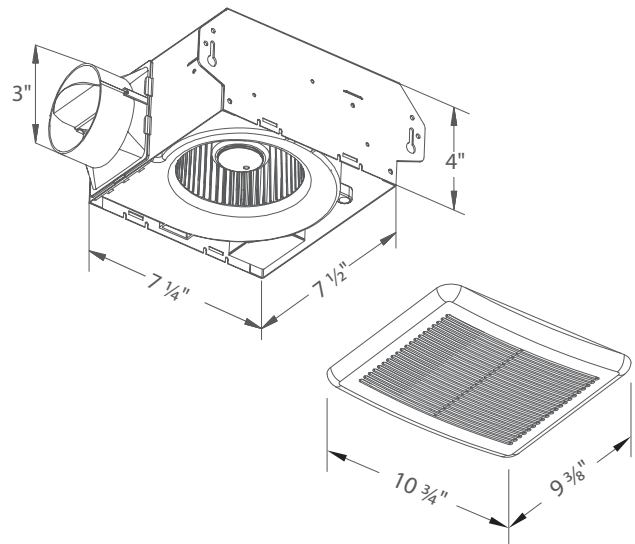
- Attractive design using ABS material
- Attaches directly to housing with torsion springs

Warranty

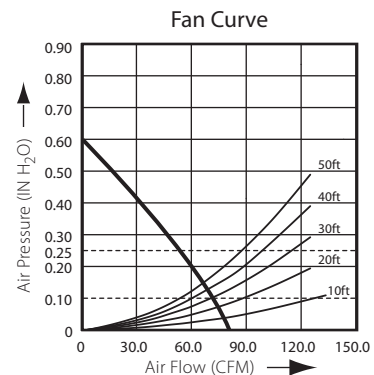
- 3-Year limited warranty

TYPICAL SPECIFICATION

Ventilation fan shall be Delta Breez model 70F; ENERGY STAR qualified with brushless DC motor engineered to run continuously for a minimum 70,000 hours; airflow rating of 70CFM and loudness rating of 2.0 Sones at 0.1" static pressure as certified by the Home Ventilating Institute (HVI); power consumption of 13.2 Watts with efficiency rating of 5.8 CFM/Watt. Fan will feature motor lock protection. UL and cUL listed for tub/shower enclosure when used with GFCI-protected branch circuit wiring.



BreezSlim 70F	3" Duct (Standard)	
Static Pressure (inches w.g.)	0.1	0.25
Air Flow (CFM)	70	50
Sones	2.0	1.5
Power Consumption (Watts)	13.2	11.6
Energy Efficiency (CFM/Watt)	5.8	5.0
Current (Amps)	0.29 Max	
Power Rating (V/Hz)	120 / 60	



Model	Quantity	Comments	Project:
			Location:
			Architect:
			Engineer:
			Contractor:
			Submitted by:
			Date: