



**3" Duct (Standard):**  
 70 CFM/2.0 Sones @ 0.1 SP, 13.2 Watts  
 54 CFM/1.5 Sones @ 0.25 SP, 11.6 Watt



**Description**

Lownoise ceiling/wall mount ventilating fan with super low profile, rated for continuous running. ENERGY STAR® qualified. It is HVI, UL, and cUL certified, and can be used to comply with ASHRAE 62.2 (local and whole building intermittent operation).

**DC Motor/Blower**

- Power rating of 120 volts/60Hz
- Brushless DC motor engineered to run continuously
- Motor equipped with thermal cutoff fuse
- Removable with permanently lubricated plug-in motor
- Built-in soft start function to increase bearings' life
- Automatically powers OFF when impeller is locked abnormally

**Housing**

- Galvanized steel body
- Detachable 3" diameter plastic duct adapter
- Built-in backdraft damper
- Easy installation

**Grille**

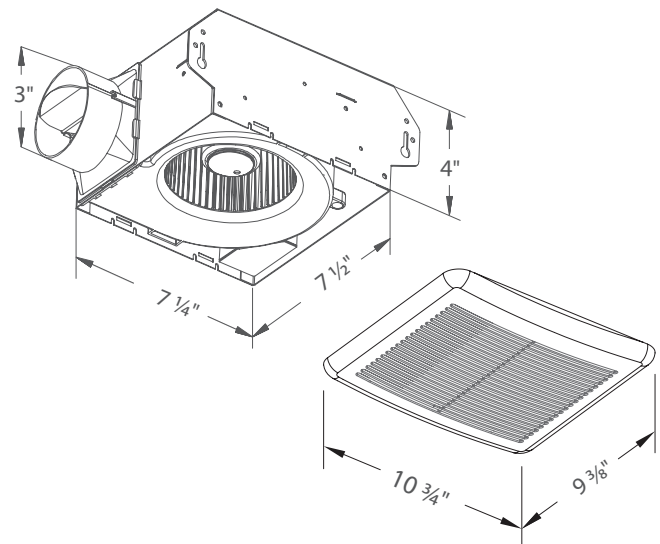
- Attractive design using ABS material
- Attaches directly to housing with torsion springs

**Warranty**

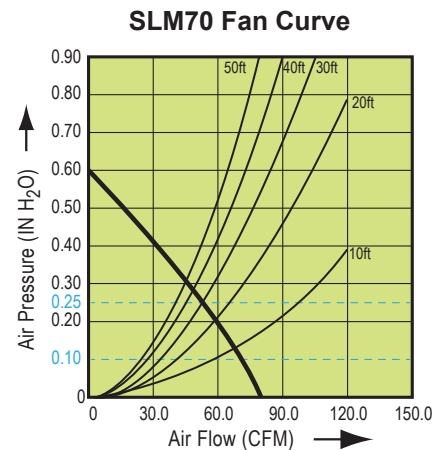
- 3-Year limited warranty

**TYPICAL SPECIFICATION**

Ventilation fan shall be Delta Breez model SLM70; ENERGY STAR qualified with Brushless DC Motor engineered to run continuously for a minimum 70,000 hours; airflow rating of 70 CFM and loudness rating of 2.0 Sones at 0.1 static pressure as certified by the Home Ventilating Institute (HVI); power consumption of not more than 13.2 Watts with efficiency rating of 5.8 CFM/Watt; fan will feature LED indicator running light and motor lock protection. UL and cUL listed for tub/shower enclosure when used with GFCI-protected branch circuit wiring.



BreezSlim SLM70	
	3" Duct (Standard)
Static Pressure (Inches w.g.)	0.1      0.25
Air Flow (CFM)	70      54
Sones	2.0      1.5
Power Consumption (Watts)	13.2      11.6
Energy Efficiency (CFM/Watts)	5.8      5.0
Current (Amps)	0.29 Max
Power Rating (V/Hz)	120/60



Model	Quantity	Comments	Project:
			Location:
			Architect:
			Engineer:
			Contractor:
			Submitted by:
			Date: