



	<p>4" Duct (Standard): 100 CFM/1.4 Sones @ 0.1 SP, 12.6 Watts 77 CFM/1.5 Sones @ 0.25 SP, 13.5 Watts</p>		
--	-------------------------------------------------------------------------------------------------------------------------	--	--

Description

Low noise ceiling/wall mount ventilating fan rated for continuous running. Fan has been awarded ENERGY STAR® qualified. It is HVI, UL, and cUL certified, and can be used to comply with ASHRAE 62.2. Intermittent Local Exhaust, and CA Title 24 requirements.

DC Motor/Blower

- Power rating of 120 volts/60Hz
- Brushless DC motor engineered to run continuously
- Motor equipped with thermal cutoff fuse
- Removable with permanently lubricated plug-in motor
- Built-in soft start function to increase bearings' life
- Automatically powers OFF when impeller is locked abnormally

Housing

- Galvanized steel body
- Detachable 4" diameter duct adapter
- Built-in backdraft damper
- Hanger bars included
- Easy installation

Grille

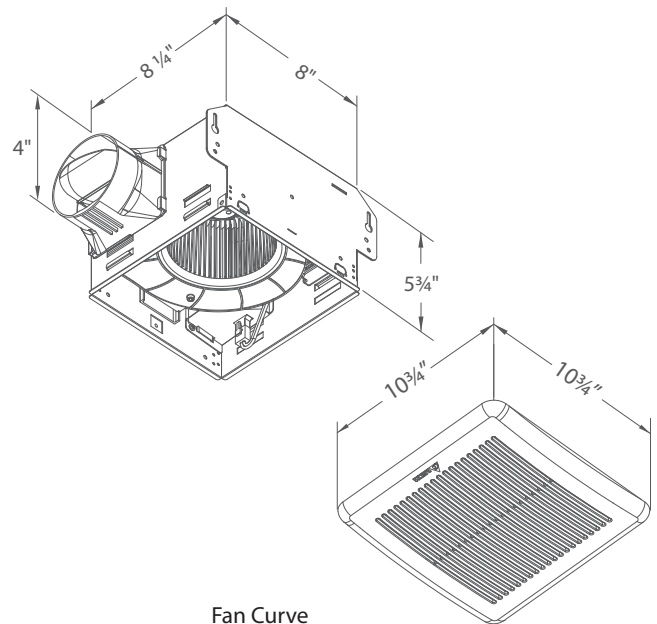
- Attractive design using ABS material
- Attaches directly to housing with torsion springs

Warranty

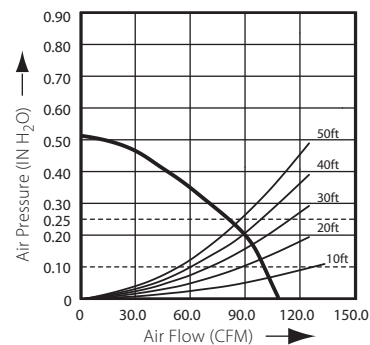
- 3-year limited warranty

TYPICAL SPECIFICATION

Ventilation fan shall be Delta Breez model 100F; ENERGY STAR qualified with brushless DC motor engineered to run continuously for a minimum 70,000 hours; airflow rating of 100 CFM and loudness rating of 1.4 sones at 0.1 static pressure as certified by the Home Ventilating Institute (HVI); power consumption of 12.6 Watts with efficiency rating of 7.9 CFM/Watt at 0.1" static pressure; motor lock protection and self-compensating motor speed for intended airflow when static pressure is encountered. UL and cUL listed for tub/shower enclosure when used with GFCI-protected branch circuit wiring.



Fan Curve



BreezGreenBuilder 100F	4" Duct (Standard)	
Static Pressure (inches w.g.)	0.1	0.25
Air Flow (CFM)	100	77
Sones	1.4	1.5
Power Consumption (Watts)	12.6	13.5
Energy Efficiency (CFM/Watt)	7.9	5.7
Current (Amps)	0.22 Max	
Power Rating (V/Hz)	120 / 60	

Model	Quantity	Comments	Project:
			Location:
			Architect:
			Engineer:
			Contractor:
			Submitted by:
			Date: