

(Up to 3 hours – **Ceiling Radiation Damper**)

Description

GBR-CRD2 Ceiling Radiation Damper is UL and cUL listed, and exceeds UL 555C for use in 3-hour fire rated assemblies.

Application

- The GBR-CRD2 ceiling radiation damper employs a folded curtain style blade for point-of-origin control of radiant heat in a ventilation system
- The GBR-CRD2 is to be installed horizontally in the ceiling membrane for the floor/ceiling or roof/ceiling assemblies with a fire resistance rating up to and including 3 hours
- Ventilation fans shall be ducted out of the plenum space using any UL 181 Class 0 or Class 1 duct
- Installation is valid for the following UL rated wood truss ceilings:
 - Floor-Ceiling = L587 (Owned) Also found in the following floor-ceiling designs: L528, L558, L562, L563, L574, and L585
 - Roof Ceiling = P556 (Owned) Also found in the following roof-ceiling designs: P533, P544, P545, P547, and P580
- Intended for installation with the following UL Listed Delta Electronic Fan Models GBR80, GBR80H, GBR80HLED, GBR80LED, GBR100, GBR100H, GBR100LED, ELT80-110, ELT80-110D, ELT80-110H, ELT80-110MH, ELT80-110LED, ELT80-110DLED, ELT80-110HLED, and ELT80-110MHLED

Features

- Galvanized steel frame and sleeve
- Folded ceramic curtain blade
- 212°F fusible link
- Size: 8¹³/₁₆" x 8¹/₂"
- High temperature, non-asbestos, reinforced fiber thermal fabric

Warranty

- 3-year limited warranty

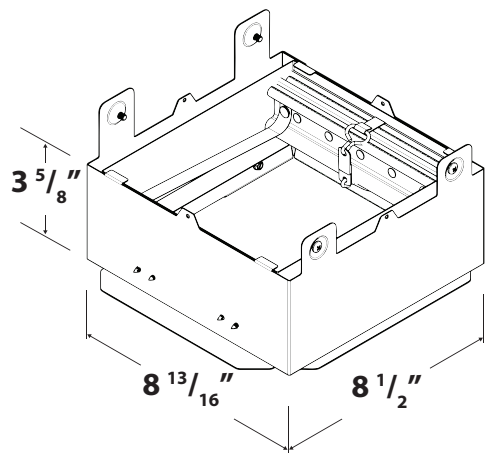
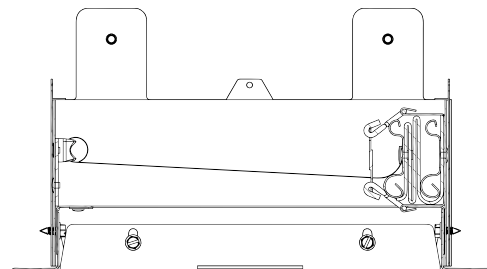
Information is subject to change without notice or obligation

Ratings

- UL 555C Fire Resistance Rating: 3 hour (horizontal, for use in 1, 2, or 3 hour rated assemblies)

Listings

- CSFM listing: 3226-1650:0106
- UL 555C listing: R16833
- Meets NFPA Standards: 90A and 101
- Meets Building Code Standards: IBC, NBC, NFPA, SBC, and UBC



Model	Quantity	Comments	Project:
			Location:
			Architect:
			Engineer:
			Contractor:
			Submitted by:
			Date: