



(Fan/Light - 80 CFM)

	<p><b>4" Duct (Standard):</b>              80 CFM/0.8 Sones @ 0.1 SP, 11 Watts              63 CFM/1.5 Sones @ 0.25 SP, 13.6 Watts</p>		
--	--	--	--

**Description**

Low noise ceiling mount ventilating Fan/Light rated for continuous running. Fan is ENERGY STAR® qualified, HVI, UL, and cUL certified, and can be used to comply with ASHRAE 62.2 (local and whole building continuous and intermittent operation) , CA Title 24 requirements.

**DC Motor/Blower**

- Power rating of 120 volts/60Hz
- DC Brushless motor engineered to run continuously
- Motor equipped with thermal cutoff fuse
- Removable with permanently lubricated plug-in motor
- Built-in soft start function to increase bearings' life
- Automatically powers OFF when impeller is locked abnormally
- Self-compensating motor speed for intended airflow when static pressure is encountered

**Housing**

- Galvanized steel body
- Detachable 4" diameter duct adapter
- Built-in back-draft damper
- Easy installation

**Grille**

- Attractive design using ABS material
- Attached to housing with included grille bracket

**Light**

- (1) GU24 26-Watt CFL lamp included
- Light output 1850 Lumens, 2700K

**LED Indicator**

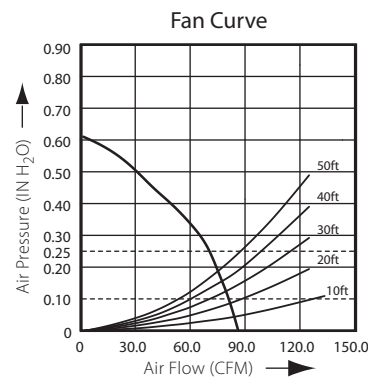
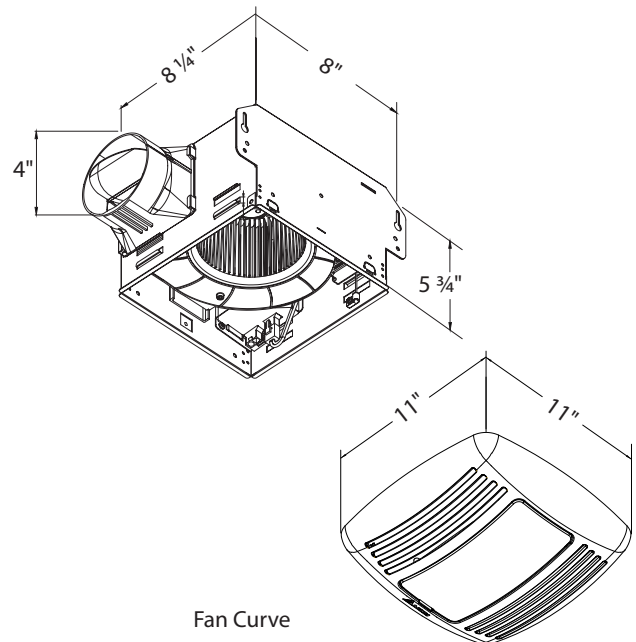
- Turn the power switch on/off to operate on/off.  
LED indicator will be green when power is on

**Warranty**

- 3-year limited warranty

**TYPICAL SPECIFICATION**

Ventilation fan shall be Delta Breez model GBR80L; ENERGY STAR qualified with DC brushless motor engineered to run continuously for a minimum 70,000 hours; airflow rating of 80 CFM and loudness rating of 0.8 Sones at 0.1 static pressure as certified by the Home Ventilating Institute (HVI); power consumption of 11.0Watts with efficiency rating of 7.2 CFM/Watt at 0.1" static pressure; fan will feature LED indicator running light, motor lock protection and self-compensating motor speed for intended airflow when static pressure is encountered. UL and cUL listed for tub/shower enclosure when used with GFCI-protected branch circuit wiring.



BreezGreenBuilder GBR80L	4" Duct (Standard)	
Static Pressure (inches w.g.)	0.1	0.25
Air Flow (CFM)	80	63
Sones	0.8	1.5
Power Consumption (Watts)	11.0	13.6
Energy Efficiency (CFM/Watt)	7.2	4.6
Current (Amps)	0.50 Max	
Power Rating (V/Hz)	120 / 60	
Lamp (Watts)	26	

Model	Quantity	Comments	Project:
			Location:
			Architect:
			Engineer:
			Contractor:
			Submitted by:
			Date: