



MODEL 150LED-ADJ

(Fan/LED Light - 150 CFM)

	6" Duct (Standard):			
	150 CFM/0.5 Sones @0.1" SP, 17.6 Watts	150 CFM/1.3 Sones @0.25" SP, 25.4 Watts		

Description

Low noise ceiling mount ventilating fan/Dimmable LED light rated for continuous running. Fan has been ENERGY STAR qualified, HVI, UL and cUL certified, and can be used to comply with ASHRAE 62.2 (local and whole building continuous and intermittent operation).

DC Motor/Blower

- Power rating of 120 volts/60Hz
- Motor equipped with thermal cutoff fuse
- Removable with permanently lubricated plug-in motor
- Built-in soft start function to increase bearings' life.
- Automatically powers OFF when impeller is locked abnormally

Housing

- Galvanized steel body
- Detachable 6" diameter metal duct adapter
- Built-in backdraft damper
- Hanger bars included
- Easy installation

Grille

- Attractive design using ABS material
- Attaches directly to housing with torsion springs

Light

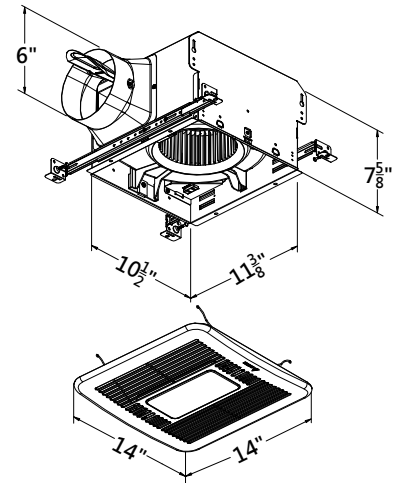
- 13-Watt LED light included (equivalent to a 60-Watt incandescent bulb)
- Main light output 850 Lumens, 90CRI
- Adjustable color temperature 2700K, 4000K, 5000K
- Dimmable LED Light (dimmer switch not included)

Warranty

- 3-Year limited warranty.

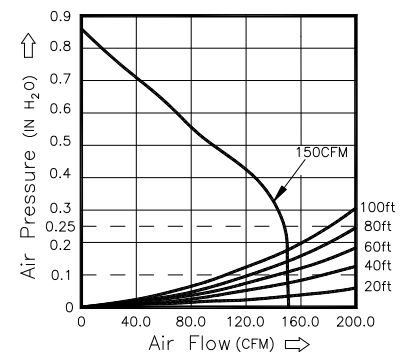
TYPICAL SPECIFICATION

Ventilation fan shall be Delta Breez model 150LED-ADJ; ENERGY STAR qualified with Brushless DC Motor engineered to run continuously for a minimum 70,000 hours; airflow rating of 150 CFM and loudness rating of 0.5 Sones at 0.1" static pressure as certified by the Home Ventilating Institute (HVI); power consumption of not more than 17.6 Watts with efficiency rating of not more than 8.5 CFM/Watt at 0.1" static pressure; fan will feature motor lock protection and self-compensating motor speed for intended airflow when static pressure is encountered. UL/cUL listed for tub/shower enclosure when use with GFCI-protected branch circuit wiring.



LED DIMMABLE

Fan Curve



BreezSmart 150LED-ADJ	6" Duct (Standard)	
Static Pressure (inches w.g.)	0.1	0.25
Air Flow (CFM)	150	150
Sones	0.5	1.3
Power Consumption (Watts)	17.6	25.4
Energy Efficiency (CFM/Watt)	8.5	5.9
Current (Amps)	0.62 Max.	
Power Rating (V/Hz)	120 / 60	
LED Light (Watt)	13	

Model	Quantity	Comments	Project:
			Location:
			Architect:
			Engineer:
			Contractor:
			Submitted by:
			Date: