



(Fan with Humidity Sensor - 130 CFM)

Full Speed: 130 CFM/<0.3 Sones @ 0.1 SP, 11.6 Watts 124 CFM/1.0 Sone @ 0.25 SP, 20.0 Watts	Low Speed: 50 CFM/<0.3 Sones @ 0.1 SP, 5.6 Watts 49 CFM/1.0 Sone @ 0.25 SP, 12.2 Watts			
---	---	--	--	--

Description

Low noise ceiling mount ventilating fan with humidity sensor rated for continuous running. Fan has been awarded ENERGY STAR® Most Efficient 2018. It is HVI, UL, and cUL certified, and can be used to comply with ASHRAE 62.2 (local and whole building continuous and intermittent operation), CA Title 24, and CALGreen requirements.

DC Motor/Blower

- Power rating of 120 volts/60Hz
- DC brushless motor engineered to run continuously
- Motor equipped with thermal cutoff fuse
- Removable with permanently lubricated plug-in motor
- Built-in soft start function to increase bearings' life
- Automatically powers off when impeller is locked abnormally
- Self-compensating motor speed for intended airflow when static pressure is encountered

Housing

- Galvanized steel body
- Detachable 6" diameter metal duct adapter
- Built-in backdraft damper
- Hanger bars included
- Easy installation

Grille

- Attractive design using ABS material
- Attached directly to housing with torsion springs

LED Indicator

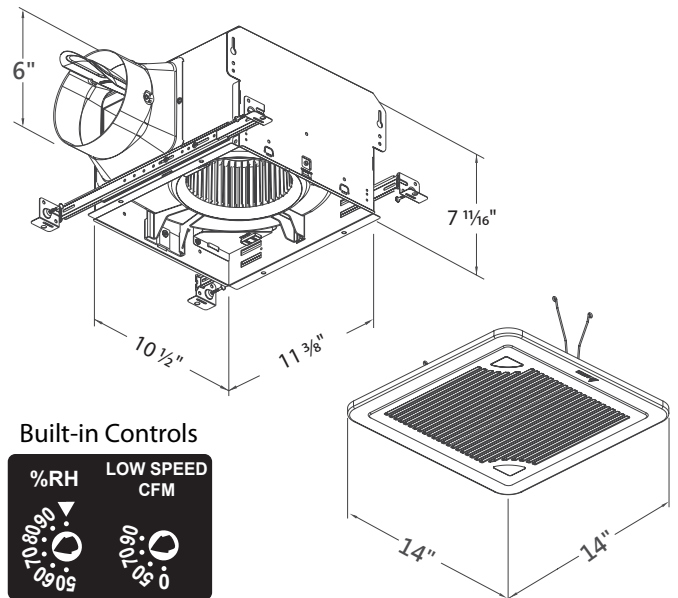
- Turn the power switch on/off to operate on/off. LED indicator will be green when power is on

Warranty

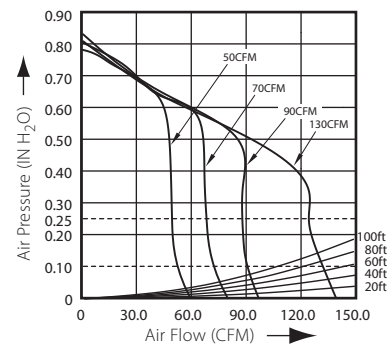
- 3-year limited warranty

TYPICAL SPECIFICATION

Ventilation fan shall be Delta Breez model SMT130H; ENERGY STAR qualified with DC brushless motor engineered to run continuously for a minimum 70,000 hours; airflow rating of 130 CFM and loudness rating of <0.3 Sones at 0.1 static pressure as certified by the Home Ventilating Institute (HVI); power consumption of 11.6 Watts with efficiency rating of 1 CFM/Watt at 0.1" static pressure; fan will feature LED indicator running light, motor lock protection and self-compensating motor speed for intended airflow when static pressure is encountered. UL and cUL listed for tub/shower enclosure when used with GFCI-protected branch circuit wiring



Fan Curve



BreezSmart SMT130H	6" Duct (Standard)							
	Continuous low speed						Full Speed	
Fan speed	0.1	0.25	0.1	0.25	0.1	0.25	0.1	0.25
Static Pressure (inches w.g.)	0.1	0.25	0.1	0.25	0.1	0.25	0.1	0.25
Air Flow (CFM)	50	49	70	68	90	88	130	124
Sones	<0.3	1.0	<0.3	1.0	<0.3	1.0	<0.3	1.0
Power Consumption (Watts)	5.6	12.2	6.9	13.5	8.0	15.5	11.6	20.0
Energy Efficiency (CFM/Watt)	8.9	4.0	10.1	5.0	11.2	5.6	11.2	6.2
Current (Amps)	0.44 Max							
Power Rating (V/Hz)	120/60							

Model	Quantity	Comments	Project:
			Location:
			Architect:
			Engineer:
			Contractor:
			Submitted by:
			Date: