

Full Speed: 150 CFM/<0.3 Sones @ 0.1 SP, 16.9 Watts 149 CFM/1.3 Sone @ 0.25 SP, 23.7 Watts	Low Speed: 70 CFM/<0.3 Sones @ 0.1 SP, 6.9 Watts 68 CFM/1.0 Sone @ 0.25 SP, 13.5 Watts			
---	---	--	--	--

Description

Low noise ceiling mount ventilating fan with dual speed rated for continuous running. ENERGY STAR® qualified. It is HVI, UL, and cUL certified, and can be used to comply with ASHRAE 62.2 (local and whole building continuous and intermittent operation), CA Title 24 requirements.

DC Motor/Blower

- Power rating of 120 volts/60Hz
- DC brushless motor engineered to run continuously
- Motor equipped with thermal cutoff fuse
- Removable with permanently lubricated plug-in motor
- Built-in soft start function to increase bearings' life
- Automatically powers off when impeller is locked abnormally
- Self-compensating motor speed for intended airflow when static pressure is encountered

Housing

- Galvanized steel body
- Detachable 6" diameter metal duct adapter
- Built-in backdraft damper
- Hanger bars included
- Easy installation

Grille

- Attractive design using ABS material
- Attached directly to housing with torsion springs

LED Indicator

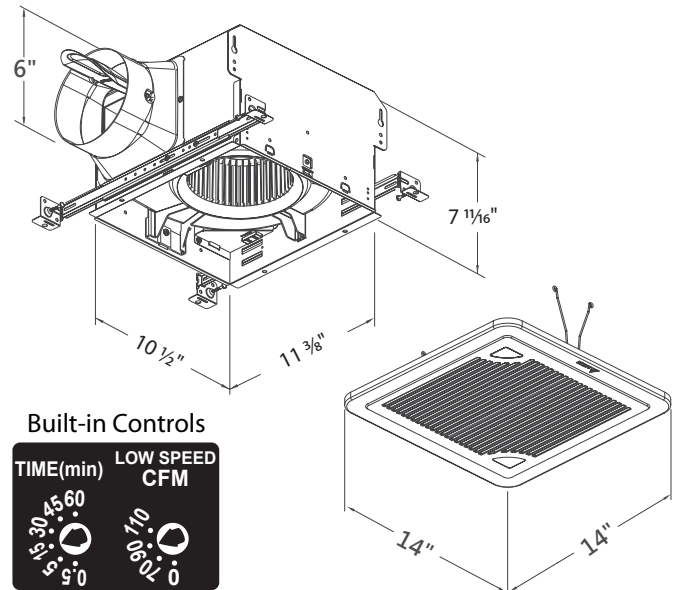
- Green and amber LED indicator lights to show continuous low speed and full speed modes

Warranty

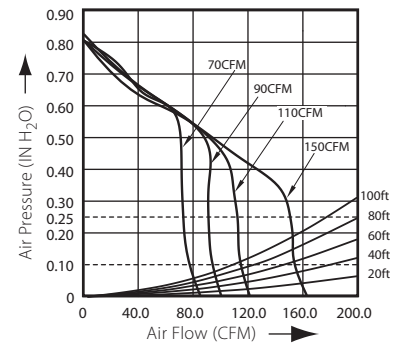
- 3-Year limited warranty

TYPICAL SPECIFICATION

Ventilation fan shall be Delta Breez model SMT150D; ENERGY STAR qualified with Brushless DC Motor engineered to run continuously for a minimum 70,000 hours; airflow rating of 150 CFM and loudness rating of <0.3 Sones at 0.1 static pressure as certified by the Home Ventilating Institute (HVI); power consumption of 16.9 Watts with efficiency rating of 8.8 CFM/Watt at 0.1" static pressure; fan will feature LED indicator running light, motor lock protection and self-compensating motor speed for intended airflow when static pressure is encountered. UL and cUL listed for tub/shower enclosure when used with GFCI-protected branch circuit wiring



Fan Curve



BreezSmart SMT150D	6" Duct (Standard)							
	Continuous low speed						Full Speed	
Fan speed	0.1	0.25	0.1	0.25	0.1	0.25	0.1	0.25
Static Pressure (inches w.g.)	0.1	0.25	0.1	0.25	0.1	0.25	0.1	0.25
Air Flow (CFM)	70	68	90	88	110	110	150	149
Sones	<0.3	1.0	<0.3	1.0	<0.3	1.0	<0.3	1.3
Power Consumption (Watts)	6.9	13.5	8.0	15.5	9.8	18.4	16.9	23.7
Energy Efficiency (CFM/Watt)	10.1	5.0	11.2	5.6	11.2	5.9	8.8	6.2
Current (Amps)	0.47 Max							
Power Rating (V/Hz)	120/60							

Model	Quantity	Comments	Project:
			Location:
			Architect:
			Engineer:
			Contractor:
			Submitted by:
			Date: