

6" Duct (Standard):

150 CFM/0.5 Sones @ 0.1" SP, 17.6 Watts
 150 CFM/1.3 Sones @ 0.25" SP, 25.4 Watts



Description

Low noise ceiling mount ventilating fan/LED light/night-light rated for continuous running. Fan has been ENERGY STAR qualified; it is HVI, UL and cUL certified, and can be used to comply with ASHRAE 62.2 (local and whole building continuous and intermittent operation).

DC Motor/Blower

- Power rating of 120 volts/60Hz
- Motor equipped with thermal cutoff fuse
- Removable with permanently lubricated plug-in motor
- Built-in soft start function to increase bearings' life
- Automatically powers off when impeller is locked abnormally
- Self-compensating motor speed for intended airflow when static pressure is encountered

Housing

- Galvanized steel body
- Detachable 6" diameter metal duct adapter
- Built-in backdraft damper
- Hanger bars included
- Easy installation

Grille

- Attractive design using ABS material
- Attaches directly to housing with torsion springs

Light

- (1) 13-Watt LED main light included
- (1) 2-Watt LED night light included
- Main light output 850 Lumens, 3000K, and 90 CRI

LED Indicator

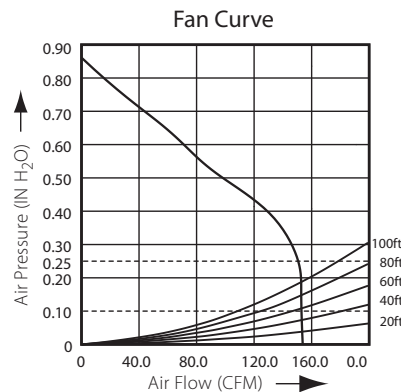
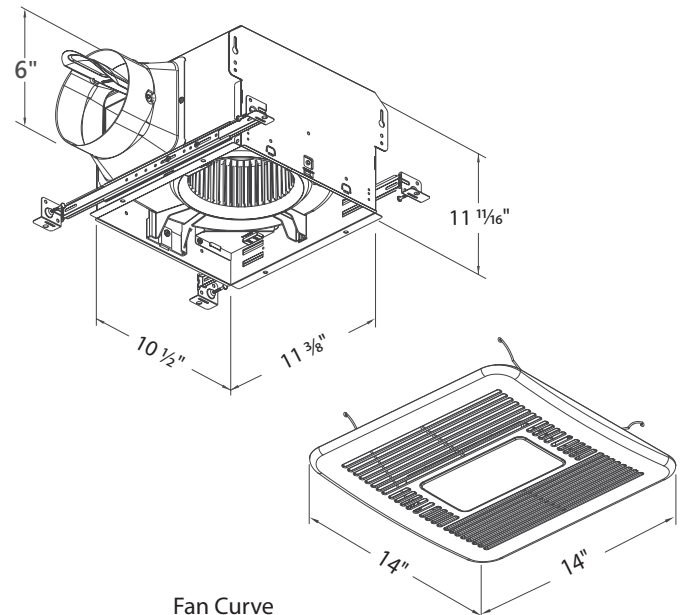
- Turn the power switch on/off to operate on/off. LED indicator will be green when power is on

Warranty

- 3-year limited warranty

TYPICAL SPECIFICATION

Ventilation fan shall be Delta Breez model SMT150LED; ENERGY STAR qualified with DC brushless motor engineered to run continuously for a minimum 70,000 hours; airflow rating of 150 CFM and loudness rating of 0.5 Sones at 0.1 static pressure as certified by the Home Ventilating Institute (HVI); power consumption of 17.6 Watts with efficiency rating of 8.5 CFM/Watt at 0.1" static pressure; fan will feature LED indicator running light, motor lock protection and self-compensating motor speed for intended airflow when static pressure is encountered. UL and cUL listed for tub/shower enclosure when used with GFCI-protected branch circuit wiring



BreezSmart SMT150LED	6" Duct(Standard)	
	0.1	0.25
Static Pressure (inches w.g.)	0.1	0.25
Air Flow (CFM)	150	150
Sones	0.5	1.3
Power Consumption (Watts)	17.6	25.4
Energy Efficiency (CFM/Watt)	8.5	5.9
Current (Amps)	0.62 Max.	
Power Rating (V/Hz)	120/60	
LED Main Light (Watt)	13	
LED Night Light (Watt)	2	

Model	Quantity	Comments	Project:
			Location:
			Architect:
			Engineer:
			Contractor:
			Submitted by:
			Date: