



(Fan /Heater – 80 CFM)



4" Duct (Standard):
80 CFM/1.5 Sones @ 0.1 SP, 11.7 Watts



Description

Low noise ceiling mount ventilating fan, and heat. It is cUL listed and Home Ventilating institute (HVI) certified. Attic access required.

DC Motor/Blower

- Power rating of 120 volts/60Hz
- DC brushless motor engineered to run continuously
- Motor equipped with thermal cutoff fuse
- Removable with permanently lubricated plug-in motor Built-in soft start function to increase bearings' life
- Automatically powers OFF when impeller is locked abnormally

Housing

- Galvanized steel body
- Detachable 4" diameter duct adapter
- Built-in backdraft damper
- Easy installation

Grille

- Attractive design using PBT material
- Attaches directly to housing with torsion springs

Heater

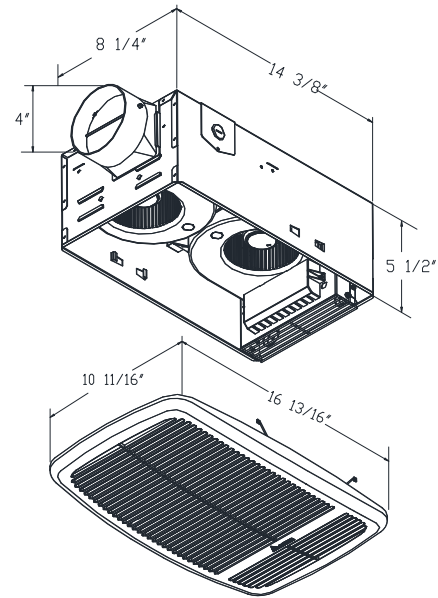
- 1300W heating element evaluated by cUL for safety standards
- Heater module equipped with thermal cutoff fuse and thermostat

Warranty

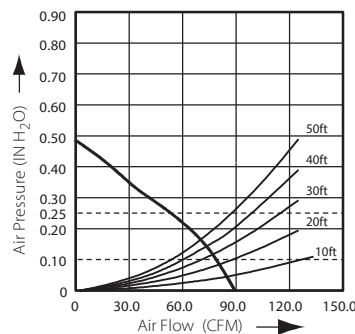
- 3-year limited warranty

TYPICAL SPECIFICATION

Ventilation fan shall be model 80F-HEATER; brushless DC motor engineered to run continuously for a minimum 70,000 hours; airflow rating of 80 CFM (±10%) and 1.5 Sones at 0.1 static pressure. Power consumption approximately 11.7 Watts with an efficiency rating approximately 7.0 CFM/Watt. Duct diameter no less than 4" Built-in thermostat to regulate temperature. Metal guard to help prevent user contact with heating wire. Heater element with 1300W and conforms to cUL safety standards. Heater module equipped with thermal cutoff fuse and thermostat.



Fan Curve



Breez 80F-HEATER	4" Duct (Standard)
Static Pressure (inches w.g.)	0.1
Air Flow (CFM)	80
Sones	1.5
Power Consumption (Watts)	11.7
Energy Efficiency (CFM/Watt)	7.0
Current (Amps)	11
Power Rating (V/Hz)	120 / 60
Heating element (Watts)	1300
Total power (Watts)	1314

Model	Quantity	Comments	Project:
			Location:
			Architect:
			Engineer:
			Contractor:
			Submitted by:
			Date: