



(Fan with Bluetooth® Speaker – 70 CFM)

4" Duct (Standard):
70 CFM/1.0 Sones @ 0.1" SP, 8.4 Watts
59 CFM/1.5 Sones @ 0.25" SP, 10 Watts

Bluetooth®

Most Efficient 2023
ENERGY STAR
www.energystar.gov

UL US

Description

Breez Integrity 70 CFM Fan with Bluetooth® Speaker enables you to enjoy your favorite music, or hear real-time news, weather, trac, or sports while the energy-ecient fan quietly ventilates your bathroom. Easily pairs with most Bluetooth wireless devices. Quiet operation ventilating fan with low prole, rated for continuous running. Fan has been awarded ENERGY STAR® Most Ecient 2019. It is HVI, UL, and cUL certified, and can be used to comply with ASHRAE 62.2 (local and whole building continuous and intermittent operation).

DC Motor/Blower

- Power rating of 120 volts/60Hz
- Brushless DC motor engineered to run continuously
- Motor equipped with thermal cutoff fuse
- Removable with permanently lubricated plug-in motor
- Built-in soft start function increases bearing life
- Automatically powers OFF if impeller is locked abnormally

Housing

- Galvanized steel body
- Detachable 4" diameter metal duct adapter
- Built-in backdraft damper
- Easy installation with expandable extension bracket

Grille

- Attractive design using ABS material
- Attaches directly to housing with torsion springs
- White

LED Indicator

- Turn the power switch on/off to operate on/off
LED indicator will be green when power is on

Bluetooth Speaker Assembly

- Include a Bluetooth 3.0 speaker, 3W and 4 Ohm
- Play audio through most Bluetooth wireless devices

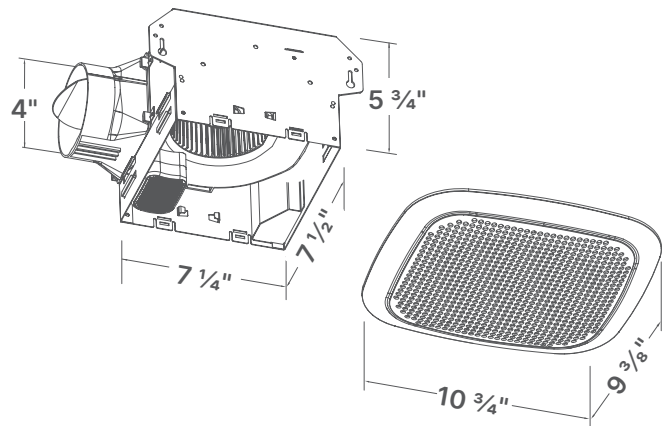
Warranty

- 3-Year limited warranty

TYPICAL SPECIFICATION

Ventilation fan with Bluetooth® Speaker ITG70BT; ENERGY STAR qualified with DC brushless motor engineered to run continuously for a minimum 70,000 hours; airflow rating of 70 CFM and loudness rating of 1.0 Sone at 0.1 static pressure as certified by the Home Ventilating Institute (HVI); power consumption of 8.4 Watts with efficiency rating of 10.6 CFM/Watt. UL and cUL listed for tub/shower enclosure when used with GFCI-protected branch circuit wiring.

The Bluetooth® word mark and logos are registered trademarks owned by Bluetooth SIG, Inc. and any use of such marks by Delta Electronics, Inc. is under license. Other trademarks and trade names are those of their respective owners.



BreezSignature ITG70BT		
	4" Duct Standard	
Fan Speed	Full Speed	
Static Pressure (Inches w.g.)	0.1	0.25
Air Flow (CFM)	70	59
Sones	1.0	1.5
Power Consumption (Watts)	8.4	10
Energy Efficiency (CFM/Watts)	10.6	7.2
Current (Amps)	0.20 Max	
Power Rating (V/Hz)	120 / 60	

ITG70BT Fan Curve

