

| | | | |
|--|--|--|--|
| | 6" Duct (Standard): 200 CFM/1.0 Sone(Estimate) @ 0.1 SP, 17.5 Watts 163 CFM/1.3 Sones(Estimate) @ 0.25 SP, 21.5 Watts | | |
|--|--|--|--|

Description

Low noise ceiling mount ventilating fan rated for continuous running. ENERGY STAR® Most Efficient 2018. HVI, UL and cUL certified to comply with ASHRAE 62.2 local and whole building continuous and intermittent operation. Meets CA Title 24 requirements.

DC Motor/Blower

- Power rating of 120 volts/60Hz
- DC brushless motor engineered to run continuously
- Motor equipped with thermal cutoff fuse
- Removable with permanently lubricated plug-in motor
- Built-in soft start function to increase bearings' life
- Automatically powers OFF when impeller is locked abnormally

Housing

- Galvanized steel body
- Detachable 6" diameter metal duct adapter
- Built-in backdraft damper
- Easy installation with suspension bracket

Grille

- Attractive design using ABS material
- Attaches directly to housing with torsion springs

LED Indicator

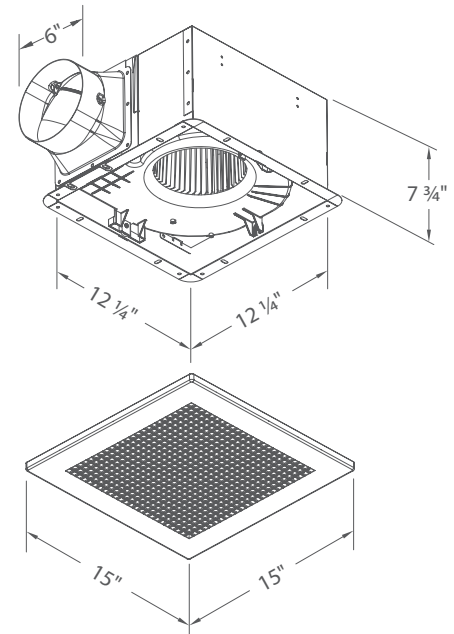
- Turn the power switch on/off to operate on/off. LED indicator will be green when power is on

Warranty

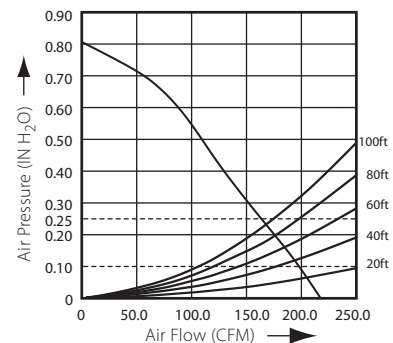
- 3-year limited warranty

TYPICAL SPECIFICATION

Ventilation fan shall be Delta Breez model Pro200; ENERGY STAR qualified with DC brushless motor engineered to run continuously for a minimum 70,000 hours; airflow rating of 200 CFM and loudness rating of 1.0 Sones at 0.1 static pressure as certified by the Home Ventilating Institute (HVI); power consumption of 17.5 Watts with efficiency rating of 11.4 CFM/Watt at 0.1" static pressure; fan will feature LED indicator running light and motor lock protection; fan shall be UL/cUL listed for use over a bathtub or shower when installed in a GFCI protected branch circuit.



Fan Curve



| BreezPro Pro200 | 6" Duct (Standard) | |
|-------------------------------|--------------------|------|
| Static Pressure (inches w.g.) | 0.1 | 0.25 |
| Air Flow (CFM) | 200 | 163 |
| Sones | 1.0 | 1.3 |
| Power Consumption (Watts) | 17.5 | 21.5 |
| Energy Efficiency (CFM/Watt) | 11.4 | 7.5 |
| Current (Amps) | 0.52 Max | |
| Power Rating (V/Hz) | 120 / 60 | |

| Model | Quantity | Comments | Project: |
|-------|----------|----------|---------------|
| | | | Location: |
| | | | Architect: |
| | | | Engineer: |
| | | | Contractor: |
| | | | Submitted by: |
| | | | Date: |