



MODEL 90LED-REC-ADJ

(Fan/LED Light/ - 90CFM)



4" Duct (Standard):

90 CFM/2.5 Sones @ 0.1 SP, 18.7 Watts
81 CFM/2.5 Sones @ 0.25 SP, 18.8 Watts



Description

Low noise ceiling mount ventilating fan/Dimmable LED light rated for continuous running. It is HVI, UL, and cUL certified, and can be used to comply with ASHRAE 62.2(local intermittent operation), CA Title 24 requirements.

DC Motor/Blower

- Power rating of 120 volts/60Hz
- DC brushless motor engineered to run continuously
- Motor equipped with thermal cutoff fuse
- Removable with permanently lubricated plug-in motor
- Built-in soft start function to increase bearings' life
- Automatically powers OFF when impeller is locked abnormally

Housing

- Galvanized steel body
- Detachable 4" diameter duct adapter
- Built-in backdraft damper
- Easy installation with expandable extension bracket

Grille

- Attractive design using PP material
- Attaches directly to housing with torsion springs

Light

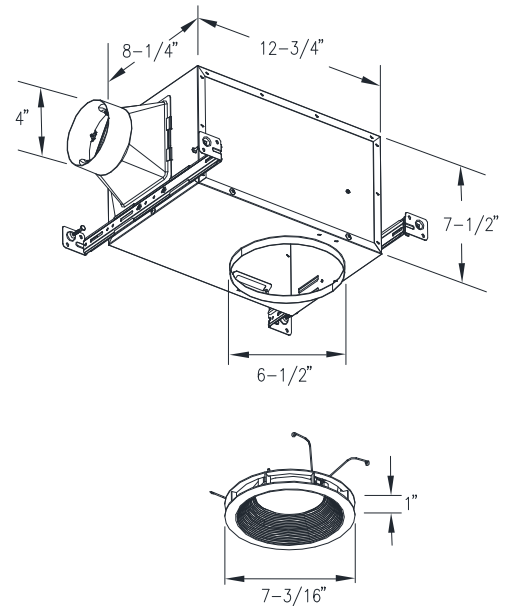
- 13-Watt Dimmable LED main light included (dimmer switch not included)
- Light output 850 Lumens and 80 CRI, 2700K, 4000K, 5000K (adjustable color temperature)

Warranty

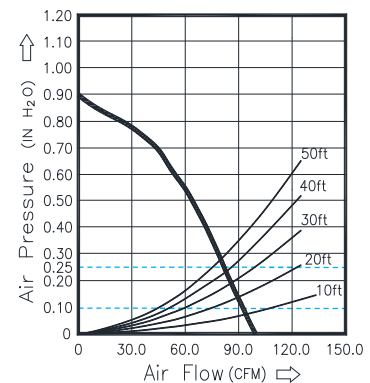
- 3-year limited

TYPICAL SPECIFICATION

Ventilation fan shall be Delta Breez model 90LED-REC-ADJ; airflow rating of 90 CFM and loudness rating of 2.5 Sones at 0.1 static pressure as certified by the Home Ventilating Institute (HVI); power consumption of 18.7 Watts with efficiency rating of 5.1 CFM/Watt; fan will feature motor lock protection. UL and cUL listed for tub/shower enclosure when used with GFCI-protected branch circuit wiring.



FAN CURVE



BreezRecessed 90LED-REC-ADJ	4" Duct (Standard)	
Static Pressure (inches w.g.)	0.1	0.25
Air Flow (CFM)	90	81
Sones	2.5	2.5
Power Consumption (Watts)	18.7	18.8
Energy Efficiency (CFM/Watt)	5.1	4.6
Current (Amps)	0.31	
Power Rating (V/Hz)	120/60	
LED Light (Watts)	13	

Model	Quantity	Comments	Project:
			Location:
			Architect:
			Engineer:
			Contractor:
			Submitted by:
			Date: