



(Fan/Dimmable LED Light/Night-Light - 80 CFM)



4" Duct (Standard):
 80 CFM/1.5 Sones @ 0.1 SP, 14.5 Watts
 65 CFM/2.0 Sones @ 0.25 SP, 14.5 Watts



Description

Low noise ceiling mount ventilating fan/Dimmable LED light/night-light rated for continuous running. Fan has been awarded ENERGY STAR®. It is HVI, UL, and cUL certified, and can be used to comply with ASHRAE 62.2 local and whole building continuous and intermittent operation. Meets CA Title 24 requirements.

DC Motor/Blower

- Power rating of 120 volts/60Hz
- DC brushless motor engineered to run continuously
- Motor equipped with thermal cutoff fuse
- Removable with permanently lubricated plug-in motor
- Built-in soft start function to increase bearings' life
- Automatically powers OFF when impeller is locked abnormally

Housing

- Galvanized steel body
- Detachable 4" diameter metal duct adapter
- Built-in backdraft damper
- Easy installation with expandable extension bracket

Grille

- Attractive design using PP material
- Attaches directly to housing with torsion springs

Light

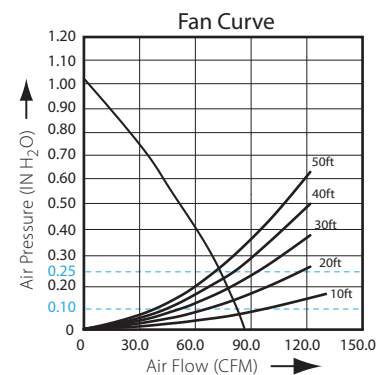
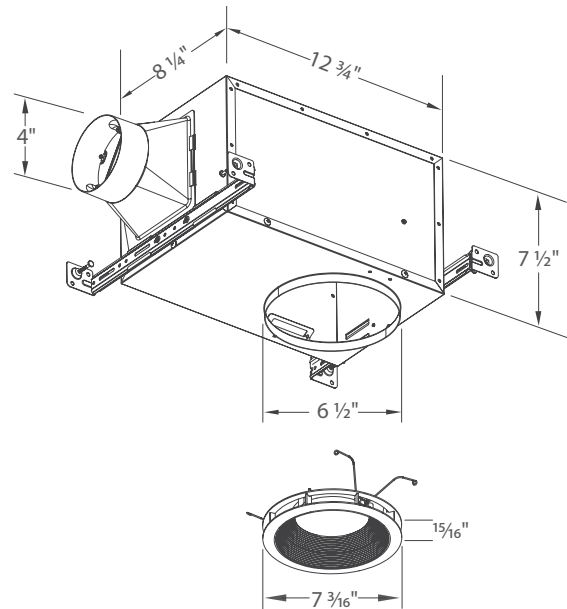
- 11-Watt Dimmable LED main light and 2-Watt LED night light included (dimmer switch not included)
- Main light output 1000 Lumens, 2700K and 80 CRI

Warranty

- 3-year limited warranty

TYPICAL SPECIFICATION

Ventilation fan shall be Delta Breez model REC80LED; ENERGY STAR qualified with DC brushless motor engineered to run continuously for a minimum 70,000 hours; airflow rating of 80 CFM and loudness rating of 1.5 Sones at 0.1 static pressure as certified by the Home Ventilating Institute (HVI); power consumption of 14.5 Watts with efficiency rating of 6.1 CFM/Watt; fan will feature motor lock protection. UL and cUL listed for tub/shower enclosure when used with GFCI-protected branch circuit wiring.



BreezRecessed REC80LED	4" Duct (Standard)	
Static Pressure (inches w.g.)	0.1	0.25
Air Flow (CFM)	80	65
Sones	1.5	2.0
Power Consumption (Watts)	14.5	14.5
Energy Efficiency (CFM/Watt)	6.1	5.4
Current (Amps)	0.34 Max	
Power Rating (V/Hz)	120 / 60	
LED Main Light (Watt)	11	
LED Night Light (Watt)	2	

Model	Quantity	Comments	Project:
			Location:
			Architect:
			Engineer:
			Contractor:
			Submitted by:
			Date: