

Description

Super quiet air mover. Continuous running status shows 0~99 Hours. Conforms to cETLus safety standards.

DC Motor/Blower

- Power rating of 120 Vac/60Hz
- Brushless DC motor engineered to run continuously
- Permanently lubricated motor

Feature

- High efficiency brushless DC motor, offers energy savings of up to 70% compared with similar products with AC motors.
- Delivers 1,200CFM of airflow while using only 97W and 1.4Amps.
- Super low noise operation of 55 dB-A at high speed, up to 12 dB-A lower than similar models.
- Digital control panel with LED display controls 3 speeds, timer function, and continuous time counter, up to 99Hrs.
- Patented dual blade design creates an airflow stream up to 32ft
- Low 1.4Amp draw allows for up to 8 units to be daisy-chained with 2 receptacles (15A circuit breaker)
- Stackable up to 4 units high for easy storage
- Lightweight 12.4lb design, Arc-shaped handle, and balanced center of gravity allows for easy carrying.
- 3-angle drying positions (0°, 45°, 90°) can be used.

Applications

- Drying floors & carpet, ceilings & walls paint / Indoor air circulation / Bathroom / Garage cooling / Basements / Work space / Exhibition hall / Supermarket / Theater

Warranty

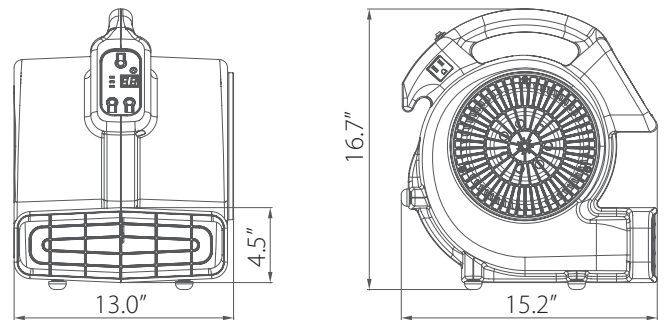
- 3-Year limited warranty

3-angle drying positions



1. Dry the carpet and the floor
2. Dry the painted walls, indoor air circulation
3. Dry the ceiling paint, indoor air circulation

Dimension



Unit: Inch

AMR1200			
Net Weight (Lb.)	12.4		
Nominal Voltage (VAC / Hz)	120 / 60		
Input Power (Watts)	30	56	97
Current (Amp.)	0.5	0.9	1.4
Speed (RPM)	642	804	966
Air flow (CFM)	800	1000	1200
Noise (dB-A)	45	51	55

- * Noise is measured in semi-anechoic chamber in free air, with three microphone at back and two side in 3.28 feet for average.
- * The test result of the airflow in free air is central value with tolerance range of $\pm 10\%$.
- * All readings are typical values at rated voltage.
- * Specifications are subject to change without notice.

Model	Quantity	Comments	Project:
			Location:
			Architect:
			Engineer:
			Contractor:
			Submitted by:
			Date: