


Full Speed 6" duct:

 80 CFM/0.5 Sones @ 0.1" SP, 7 Watts
 59 CFM/0.9 Sones @ 0.25" SP, 9 Watts

Full Speed 4" duct:

 70 CFM/0.7 Sones @ 0.1" SP, 7.5 Watts
 52 CFM/1.2 Sones @ 0.25" SP, 9 Watts

Full Speed 6" duct:

 110 CFM/0.7 Sones @ 0.1" SP, 10.3 Watts
 89 CFM/1.0 Sones @ 0.25" SP, 13 Watts

Full Speed 4" duct:

 100 CFM/1.0 Sones @ 0.1" SP, 11.5 Watts
 82 CFM/1.5 Sones @ 0.25" SP, 13 Watts

Description

Low noise ceiling mount ventilating fan with dual speed rated for continuous running. Fan has been awarded ENERGY STAR Most Efficient. It is HVI, UL, and cUL certified to comply with ASHRAE 62.2 local and whole building continuous and intermittent operation. Meets CA Title 24.

DC Motor/Blower

- Power rating of 120 volts/60Hz
- Motor equipped with thermal cutoff fuse
- Removable with permanently lubricated plug-in motor
- Full speed adjustable, 80 or 110 CFM
- Allows fan to operate in full speed mode or continuous low speed mode by manual switch
- For continuous low speed mode, the fan runs continuously at a user-preset lower level (0, 50, 80 CFM)
- Delay time preset positions (0.5, 5, 15, 30, 45, or 60 min)
- Built-in soft start function increases bearing life
- Automatically powers OFF if impeller is locked abnormally

Housing

- Galvanized steel body
- Detachable 6" diameter metal duct adapter
- Includes 6" to 4" duct reducer
- Built-in backdraft damper
- Easy installation with expandable extension bracket and foldable mounting bracket

Grille

- Attractive design using ABS material
- Attaches directly to housing with torsion springs

Light

- 13-Watt LED Light output 850 Lumens, 3000K, 90CRI
- Dimmable Lighting (dimnable switch not included)

LED Indicator

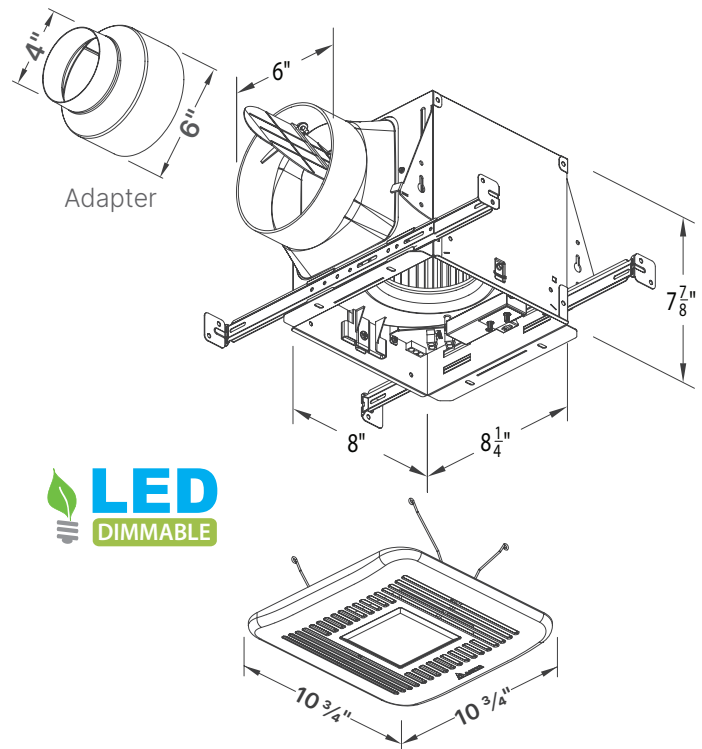
- Green and amber LED indicator lights show continuous low speed and full speed modes on

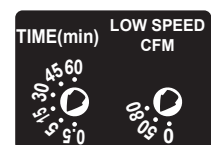
Warranty

- 3-Year limited warranty

TYPICAL SPECIFICATION

The ventilation fan ELT80-110DLED features a Brushless DC Motor engineered to run continuously for a minimum of 70,000 hours. With a standard 6" duct, it boasts an airflow rating of 110 CFM and a sound rating of 0.7 Sones at 0.1" static pressure, certified by the Home Ventilating Institute (HVI). The fan operates with a power consumption of 10.3 Watts and achieves an efficiency rating of 10.6 CFM/Watt at 0.1" static pressure. Additionally, it includes motor lock protection and self-compensating motor speed to maintain intended airflow when encountering static pressure. The ELT80-110DLED is UL and cUL listed for use in tub/shower enclosures when connected to GFCI-protected branch circuit wiring.


LED Indicator

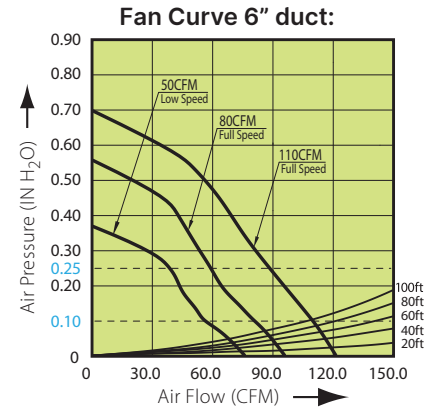
Built-in Control




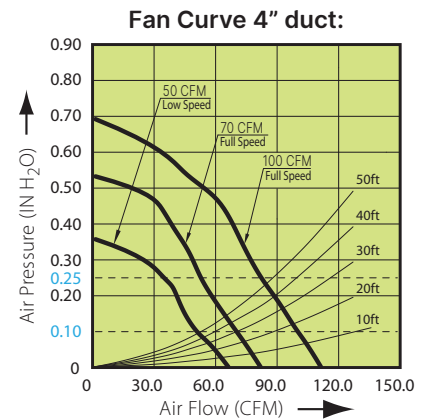
MODEL ELT80-110DLED

(Fan/Dimmable LED Light with Dual Speed 80/110 CFM)

BreezElite ELT80-110DLED		6" Duct Standard							
Fan Speed	Continuous Low Speed				Full Speed				
Static Pressure (Inches w.g.)	0.1	0.25	0.1	0.25	0.1	0.25	0.1	0.25	
Air Flow (CFM)	50	35	80	59	80	59	110	89	
Sones	0.3	0.8	0.5	0.9	0.5	0.9	0.7	1.0	
Power (Watts)	5	6	7	9	7	9	10.3	13	
Energy Efficiency (CFM/Watts)	10	5.8	11.4	6.5	11.4	6.5	10.6	6.8	
Current (Amps)	0.28 Max.								
Power Rating (V/Hz)	120 / 60								
Light (Watts/Lumens)	13 / 850								



BreezElite ELT80-110DLED		4" Duct Standard							
Fan Speed	Continuous Low Speed				Full Speed				
Static Pressure (Inches w.g.)	0.1	0.25	0.1	0.25	0.1	0.25	0.1	0.25	
Air Flow (CFM)	50	34	70	52	70	52	100	82	
Sones	0.5	1.0	0.7	1.2	0.7	1.2	1.0	1.5	
Power (Watts)	5	6	7.5	9	7.5	9	11.5	13	
Energy Efficiency (CFM/Watts)	10	5.6	9.3	5.7	9.3	5.7	8.7	6.3	
Current (Amps)	0.28 Max.								
Power Rating (V/Hz)	120 / 60								
Light (Watts/Lumens)	13 / 850								



Models	Quantity	Comments	Project:
			Location:
			Architect:
			Engineer:
			Contractor:
			Submitted by:
			Date: