


Full Speed 6" duct:

 80 CFM/0.5 Sones @ 0.1" SP, 7 Watts
 59 CFM/0.9 Sones @ 0.25" SP, 9 Watts

Full Speed 4" duct:

 80 CFM/0.8 Sones @ 0.1" SP, 8 Watts
 63 CFM/1.3 Sones @ 0.25" SP, 9.5 Watts

Full Speed 6" duct:

 110 CFM/0.7 Sones @ 0.1" SP, 10.3 Watts
 90 CFM/1.0 Sones @ 0.25" SP, 13 Watts

Full Speed 4" duct:

 110 CFM/1.2 Sones @ 0.1" SP, 12.5 Watts
 92 CFM/2.0 Sones @ 0.25" SP, 14 Watts


Description

Low noise ceiling mount ventilating fan rated for continuous running. Fan has been awarded ENERGY STAR® Most Efficient. It is HVI, UL, and cUL certified to comply with ASHRAE 62.2 local and whole building continuous and intermittent operation. Meets CA Title 24 requirements.

DC Motor/Blower

- Power rating of 120 volts/60Hz
- Motor equipped with thermal cutoff fuse
- Removable with permanently lubricated plug-in motor
- Full speed adjustable, 80 or 110 CFM
- Built-in soft start function increases bearing life
- Automatically powers OFF if impeller is locked abnormally

Housing

- Galvanized steel body
- Detachable 6" diameter metal duct adapter
- Includes 6" to 4" duct reducer
- Built-in backdraft damper
- Easy installation with expandable extension bracket and foldable mounting bracket

Grille

- Attractive design using ABS material. White color.
- Attaches directly to housing with torsion springs

LED Indicator

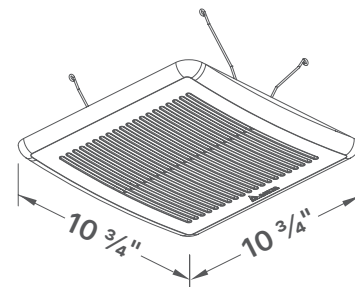
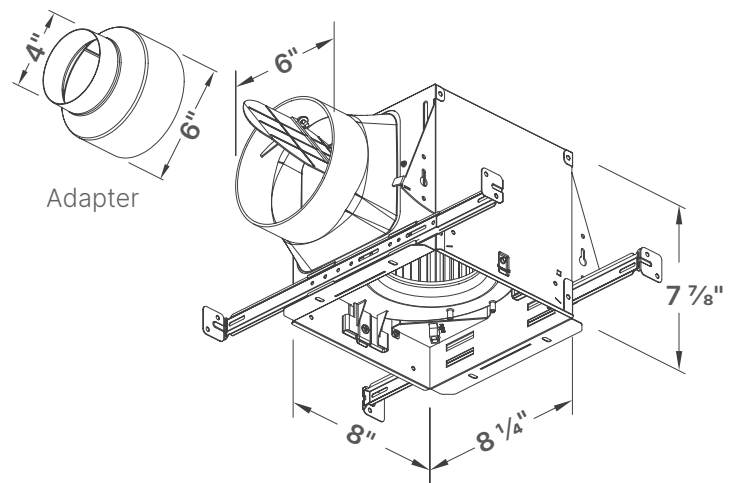
- Turn the power switch on/off to operate on/off LED indicator will be green when power is on

Warranty

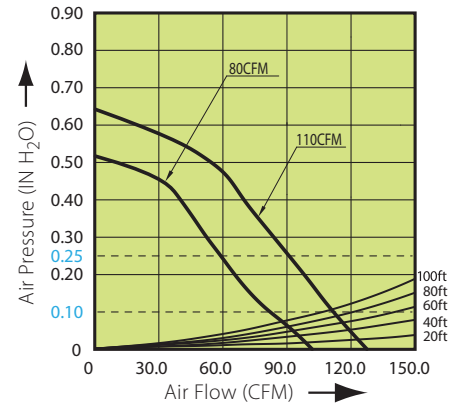
- 3-Year limited warranty

TYPICAL SPECIFICATION

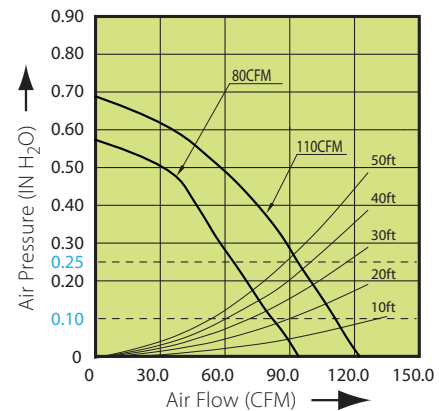
The ventilation fan ELT80-110 features a Brushless DC Motor engineered to run continuously for a minimum of 70,000 hours. With a standard 6" duct, it boasts an airflow rating of 110 CFM and a sound rating of 0.7 Sones at 0.1" static pressure, certified by the Home Ventilating Institute (HVI). The fan operates with a power consumption of 10.3 Watts and achieves an efficiency rating of 10.6 CFM/Watt at 0.1" static pressure. Additionally, it includes motor lock protection and self-compensating motor speed to maintain intended airflow when encountering static pressure. The ELT80-110 is UL and cUL listed for use in tub/shower enclosures when connected to GFCI-protected branch circuit wiring.



| BreezElite ELT80-110 | 6" Duct Standard | | | |
|-------------------------------|------------------|-------------|------------|-------------|
| Fan Speed | Full Speed | | | |
| Static Pressure (Inches w.g.) | 0.1 | 0.25 | 0.1 | 0.25 |
| Air Flow (CFM) | 80 | 59 | 110 | 90 |
| Sones | 0.5 | 0.9 | 0.7 | 1.0 |
| Power Consumption (Watts) | 7 | 9 | 10.3 | 13 |
| Energy Efficiency (CFM/Watts) | 11.4 | 6.5 | 10.6 | 6.9 |
| Current (Amps) | 0.27 Max. | | | |
| Power Rating (V/Hz) | 120 / 60 | | | |

Fan Curve 6" duct:


| BreezElite ELT80-110 | 4" Duct Standard | | | |
|-------------------------------|------------------|-------------|------------|-------------|
| Fan Speed | Full Speed | | | |
| Static Pressure (Inches w.g.) | 0.1 | 0.25 | 0.1 | 0.25 |
| Air Flow (CFM) | 80 | 63 | 110 | 92 |
| Sones | 0.8 | 1.3 | 1.2 | 2.0 |
| Power Consumption (Watts) | 8 | 9.5 | 12.5 | 14 |
| Energy Efficiency (CFM/Watts) | 10 | 6.6 | 8.8 | 6.5 |
| Current (Amps) | 0.27 Max. | | | |
| Power Rating (V/Hz) | 120 / 60 | | | |

Fan Curve 4" duct:


| Models | Quantity | Comments | Project: |
|--------|----------|----------|---------------|
| | | | Location: |
| | | | Architect: |
| | | | Engineer: |
| | | | Contractor: |
| | | | Submitted by: |
| | | | Date: |