

Description

SIG-CRD2 Ceiling Radiation Damper is UL and cUL listed, and exceeds UL 555C for use in 3-hour fire rated assemblies.

Application

- The SIG-CRD2 ceiling radiation damper employs a folded curtain style blade for point-of-origin control of radiant heat in a ventilation system
- The SIG-CRD2 is to be installed horizontally in the ceiling membrane for the floor/ceiling or roof/ceiling assemblies with a fire resistance rating up to and including 3 hours
- Ventilation fans shall be ducted out of the plenum space using any UL 181 Class 0 or Class 1 duct
- Installation is valid for the following UL rated wood truss ceilings:
- Floor-Ceiling = L587 (Owned) Also found in the following floor-ceiling designs: L528, L558, L562, L563 L574, and L585
- Roof Ceiling = P556 (Owned) Also found in the following roof-ceiling designs: P533, P544, P545, P547, and P580
- Intended for installation with the following UL Listed Delta Electronic Fan Models SIG80, SIG80D, SIG110, SIG110D, SIG80-110, SIG80-110D, SIG80-110H, SIG80-110MH, SIG80-110LED, SIG80-110DLED, SIG80-110HLED and SIG80-110MHLED

Features

- Galvanized steel frame and sleeve
- Folded ceramic curtain blade
- 212°F fusible link
- Size: 9¹³/₁₆" x 9⁹/₁₆"
- High temperature, non-asbestos, reinforced fiber thermal fabric

Warranty

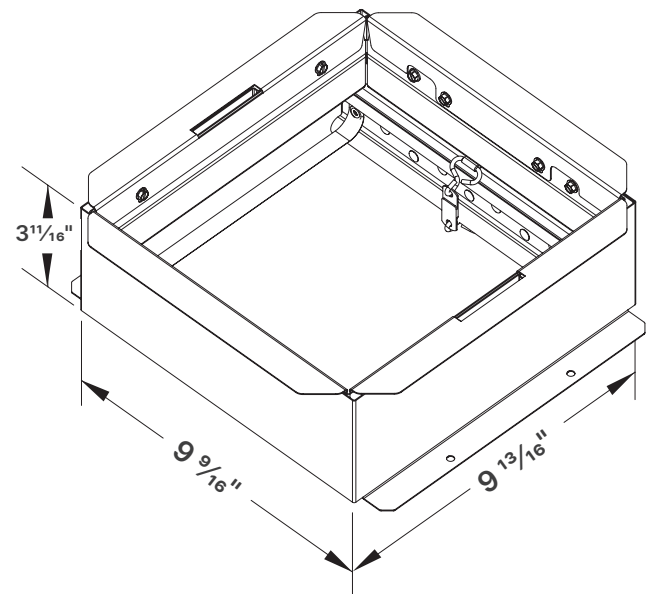
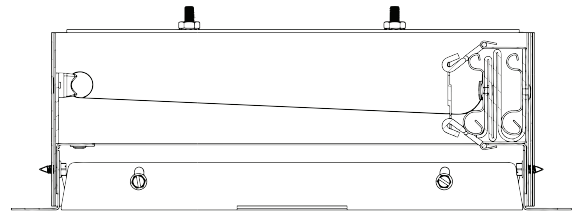
- 3-Year limited warranty

Rating

- UL 555C Fire Resistance Rating: 3 hour (horizontal, for use in 1, 2, or 3 hour rated assemblies)

Listing

- CSFM listing: 3226-1650:0106
- UL 555C listing: R16833
- Meets NFPA Standards: 90A and 101
- Meets Building Code Standards: IBC, NBC, NFPA, SBC, and UBC



Models	Quantity	Comments	Project:
			Location:
			Architect:
			Engineer:
			Contractor:
			Submitted by:
			Date: