



# Delta BreezSmart

Perfectly quiet. Perfectly green.

## Delta BreezSmart Series

<b>SMT130*</b>	130 CFM Fan Single Speed	
<b>SMT130H**</b>	130 CFM with Humidity Sensor	
<b>SMT130M**</b>	130 CFM with Motion Sensor	
<b>SMT150</b>	150 CFM Fan Single Speed	
<b>SMT150D+</b>	150 CFM Dual Speed	
<b>SMT150LED</b>	150CFM Fan/Dimmable LED Light	

\* Product is ENERGY STAR Most Efficient 2019 distinction and ENERGY STAR qualified

+ H, M, and D models have adjustable low speed CFM

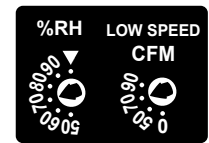
### Performance meets technology with Delta BreezSmart

BreezSmart Series incorporates Delta's super reliable DC brushless motor at higher CFMs with adjustable humidity and speed, motion sensing, and a delay timer. The BreezSmart series delivers 130 CFM and 150 CFM at incredibly low noise, <0.3 Sones, while consuming less than 18 Watts of power. All models are ENERGY STAR® qualified. Delta BreezSmart is a remarkable feat for residential ventilation. Operate your near-silent ventilation fan without lifting a finger - you just might forget it's there.

	Delta Breez	Market AC Motor
Energy Use (Watts)	16.9	51.3
Noise Level (Sones)	<0.3	1.4
Annual Energy Cost per Fan (24/7) <sup>1</sup>	\$17.17	\$53.94



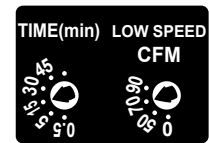
### SMT130H Controls



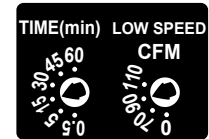
Fan only & Fan with Humidity Sensor/Dual Speed



### SMT130M Controls



### SMT150D Controls



Innovative brushless DC motor design for long life, low noise, and low power consumption

- Energy savings up to 67%<sup>2</sup>
- <0.3 Sones - lowest noise level among competing fans
- Exceeds ENERGY STAR® requirement by 300% in energy efficiency<sup>3</sup>
- Motion-sensing, humidity-sensing, and dual-speed options available with user-adjustable continuous low speed

<sup>1</sup> Calculations based upon U.S. average retail electricity at and HVI testing labs. Actual results may vary

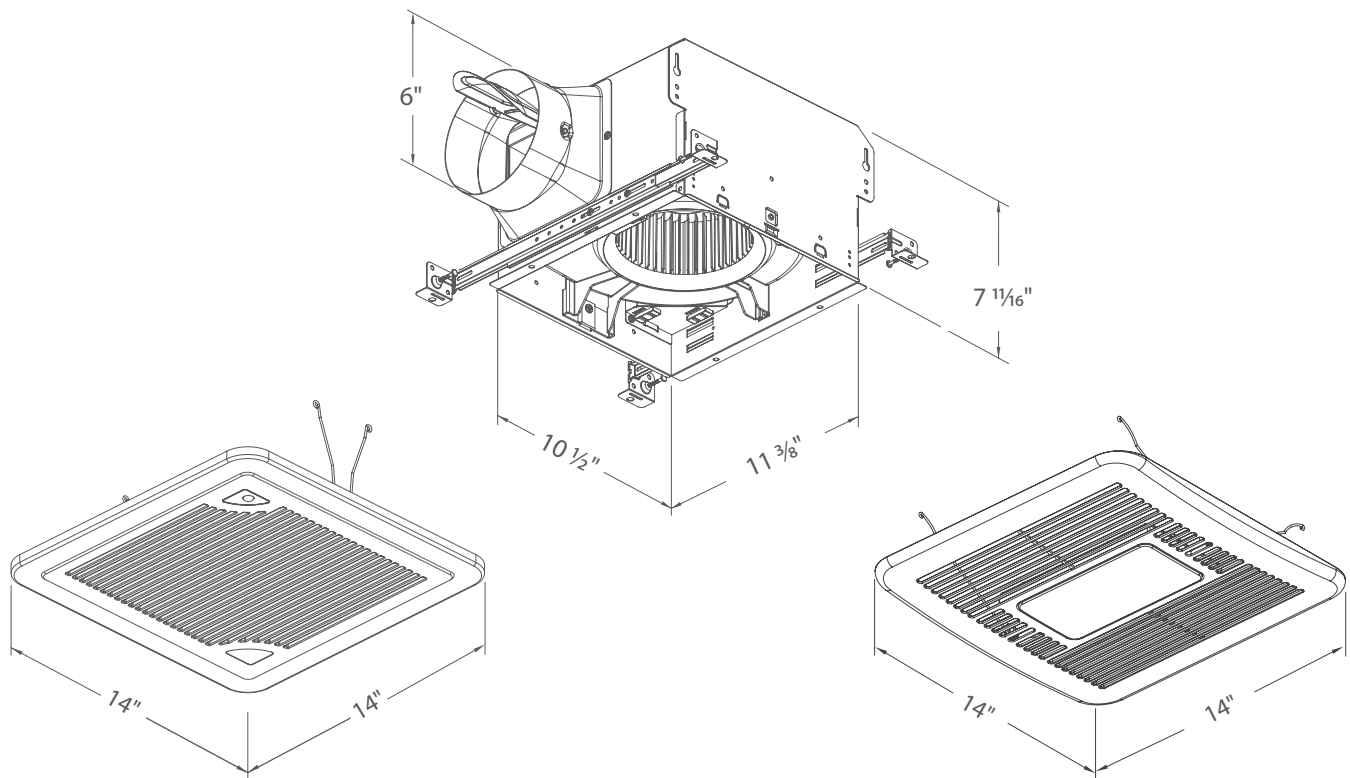
<sup>2</sup> Based upon BreezSmart SMT150 vs. market AC motor fan

<sup>3</sup> Based upon ENERGY STAR® criteria for residential ventilating fans



# Specifications

Delta BreezSmart  
Perfectly quiet. Perfectly green.



Delta BreezSmart Series	SMT130* / SMT130M / SMT130H								SMT150* / SMT150D						SMT150LED*			
Fan Speed	Continuous Low Speed				Full Speed				Continuous Low Speed				Full Speed		Full Speed			
Static Pressure (Inches w.g.)	0.1	0.25	0.1	0.25	0.1	0.25	0.1	0.25	0.1	0.25	0.1	0.25	0.1	0.25	0.1	0.25	0.1	0.25
Air Flow (CFM)	50	49	70	68	90	88	130	124	70	68	90	88	110	109	150	149	150	150
Sones	<0.3	1.0	<0.3	1.0	<0.3	1.0	<0.3	1.0	<0.3	1.0	<0.3	1.0	<0.3	1.0	<0.3	1.3	0.5	1.3
Power Consumption (Watts)	5.6	12.2	6.9	13.5	8.0	15.5	11.6	20.0	6.9	13.5	8.0	15.5	9.8	18.4	16.9	23.7	17.6	25.4
Energy Efficiency (CFM/Watt)	8.9	4.0	10.1	5.0	11.2	5.6	11.2	6.2	10.1	5.0	11.2	5.6	11.2	5.9	8.8	6.2	8.5	6.0
Current (Amps)	0.44 Max								0.47 Max						0.62 Max			
Power Rating (V/Hz)	120/60								120/60						120/60			
Duct Diameter	6"								6"						6"			
Automatic Operation	Yes - SMT130M  (motion sensing); SMT130H  (humidity sensing)								N/A						N/A			
Dual Speed Operation	Yes - SMT130M  (motion sensing); SMT130H  (humidity sensing)								Yes - SMT150D (dual speed)						N/A			
Mounting Opening	10 1/2" x 11 3/8"								10 1/2" x 11 3/8"						10 1/2" x 11 3/8"			
Mounting Depth	7 1/16"								7 1/16"						7 1/16"			
Grille Size	14"x14"								14"x14"						14"x14"			
Shipping Gross Weight (Lbs)	12.2								12.2						13			
cUL Tub/Shower Enclosure	Yes								Yes						Yes			
California Title 24 Compliant	Yes								Yes						Yes			
Mfg in ISO 9001 Certified Factory	Yes								Yes						Yes			
ENERGY STAR Qualified	Yes								Yes						Yes			
ENERGY STAR Most Efficient 2015	Yes								Yes						Yes			
Warranty (Years)	3								3						3			

\* Models SMT130, SMT150, and SMT150LED do not have 50, 70, 90, or 110 CFM adjustable low speed  
Design and specifications subject to change without notice.



Fan/LED Light  
 Adjustable motion sensor  
 Adjustable humidity sensor  
 Adjustable dual speed  
**Key**